



AEE 78...

NEW

APPARATUS MOUNTING UNIT



New in the assortment	Side rail height in mm	Operating temperature range	Hardware
Discontinued model	Wire diameter in mm	Fast install	Installation instructions
Halogen-free	Cover hole and depth in mm	Glow wire test acc. DIN EN 60695-2-10 / VDE 0471-2-10	Reference note
Silicone-free	Pipe diameter in mm	acc. DIN EN 60695-2-11 / VDE 0471-2-11	Information pages

All products in this catalog are classified according to the EAN code (13 digits). The first 7 digits indicate the country (40 = Germany) and the manufacturer's code (13339 = Niedax). The following six digits are the product code.
Example EAN code of the product TK 60.85 = 40 13339 183708



Please ask for the certifications VDE/UL



BIM-Data on request

Steel

B Steel, bare
V Steel, electro galvanised according to DIN EN ISO 19598 and DIN EN ISO 2081, blue passivated, (connecting elements galvanised according to DIN EN ISO 4042)
VC Steel, electro galvanised according to DIN EN ISO 19598 and DIN EN ISO 2081, blue passivated and powdercoated
VZL Steel, electro galvanised, passivated, top layer sealed
G Steel, electro galvanised according to DIN EN ISO 19598 and DIN EN ISO 2081, thick-film passivated, (connecting elements galvanised according to DIN EN ISO 4042)
S Steel, pre-galvanised according to DIN EN 10346
F Steel, hot dip galvanised according to DIN EN ISO 1461 (replacement for DIN 50 976), (connecting elements hot dip galvanised according to DIN EN ISO 10684)
SB Steel, black-oxide finish
FG Steel, geomet® galvanised
DV Steel, wire galvanised according to DIN EN 10244
C1 Epoxy Coating, halogen-free
C COLOR Steel, pre-galvanised and powder coated

C	STANDARD COLOURS			SURFACE ALUMINIUM	
	VW	L	WA	N	P
Complete model-No. for the colour identity	traffic white RAL 9016	light grey RAL 7035	white aluminium RAL 9006	aluminium natural anodized	aluminium plate-finished
ab Lager lieferbar					
Other RAL colours on request. For possible colour divergences we assume no liability					

traffic grey
RAL 7042

No standard colour

F1 Steel, zinc coating and chromate Steel, zinc coating & chromate Thickness of zinc is between 8-12 microns, electrolytic galvanizing & additionally chromated. Corrosion resistance measured by using a salt spray test acc. to DIN 50021 (ASTM-B117-90) at least 72 hours.	F6 Natural colour Untreated material against corrosion.
F2 Steel, hot dip galvanised Thickness of zinc between 50-70 microns, after immersion machining in a bath of molten zinc.	F7 Steel, plastic coating EVA (Ethylene Vinyl Acetate Copolymer Saponifies, Levasint®) resistance to fire according to DIN 4102.
F3 Stainless steel (material code: 1.4401 [316]) Indoor use / Outdoor in humid environments and moderately aggressive.	F8 Steel, mechanical zinc plated / passivated High quality coating. Corrosion resistance measured by means of a test salt spray according to DIN 50 021 (ASTM-B117-90) is at least 500 hours.
F4 Steel, coated Dekor-lacquer interior use in dry environments and not corrosive.	F9 Steel, mechanical zinc plated / passivated High quality coating. Corrosion resistance measured by means of a test salt spray according to DIN 50021 (ASTM-B117-90) is at least 600 hours.
F5 Brass For indoor use only.	F10 Steel, electrical mechanical / passivated Zinc coating thickness of 5 microns, electrolytically applied and clear passivated according to BS EN 12329 2000 FE/ZN5//A.

AL Aluminium, N = naturally anodized, P = mill-finished, C = powdercoated in RAL colours

P Electrotechnical Porcelain, halogen-free **MS** Brass **CU** Copper

Stainless Steel

E1 Material code: 1.4016	E4 Material code: 1.4404/AISI 316L	E7 Material code: 1.4547	E10 Material code: 1.4307/AISI 304L
E2 Material code: 1.4310	E5 Material code: 1.4571/AISI 316Ti	E8 Material code: 1.4430	E11 Material code: 1.4034
E3 Material code: 1.4301/AISI 304	E6 Material code: 1.4529	E9 Material code: 1.4362	E12 Material code: 1.4462

Plastics/Elastomer

K01 PA - Polyamide, halogen-free	K14 POM - Polyoxymethylene, halogen-free
K02 PS - Polystyrene, impact resistant, halogen-free	K15 SBR - Styrene Butadiene Rubber, halogen-free
K03 PE - Polyethylene, halogen-free	K16 CR/NBR - Chloroprene/Nitrile Butadiene Rubber, halogenated
K04 PP - Polypropylene, halogen-free	K17 CR/SBR - Chloroprene/Styrene Butadiene Rubber, halogenated
K05 PC - Polycarbonate, halogen-free	K18 TPE - Thermoplastic Elastomers, halogen-free
K06 SBR/NBR - Styrene Butadiene Nitrile Rubber, halogen-free	K19 FS 31 - Moulding material 31 (Phenolic Resin), halogen-free
K07 CR - Neoprene (Chloroprene Rubber), halogen-free	K20 SI - Silicone Rubber, halogen-free
K08 NBR - Nitrile Butadiene Rubber, halogen-free	K21 PUR - Polyurethanes, halogen-free
K09 PVC-hard - Polyvinyl Chloride Hard, halogenated	K22 PET - Polyethylene Terephthalate, halogen-free
K10 PVC-soft - Polyvinyl Chloride Soft, halogenated	K23 UP-GF - Glass Fiber Reinforced Polyester, halogen-free
K11 ABS - Acrylnitrile Butadiene Styrene, halogen-free	K24 PBT - Polybutylene Terephthalate, halogen-free
K12 ASA - Acrylic Acid Ester-Styrene-Acrylonitrile Graft Copolymer, halogen-free	

Apparatus Mounting Unit

2-part, steel upper section with closed, lockable transparent cover, base section with TS 35 mounting rail (hat profile) for max. 3 circuit breakers

Model No.	for cable trunking depth mm	Lid opening mm	Incl. Accessories	EAN code	Weight in kg per 100 pcs.	Smallest packaging unit
C AEE 78-20T70 C	T70	78	2 strain relief	244539	146	1 pc.

Bottom section for hanging in 2 rear loops of the apparatus mounting unit, with pre-assembled feed-through terminal blocks and potential equalisation connections to the covers

Slots for circuit breakers max. 3x 1-pole or 1x 3-pole in a width grid of 18 mm and a max. installation depth on the TS 35 mounting rail of 70 mm

Steel upper part flush with the cable trunking cover including 2 cable retainers

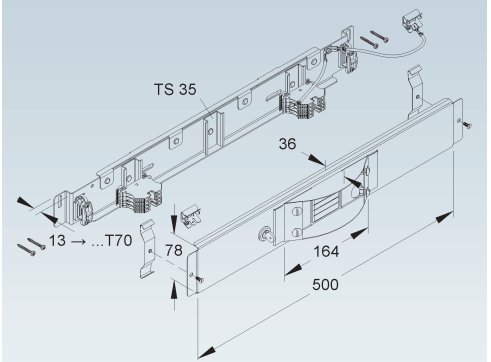
The cross-section approx. 3401 mm² must be deducted from the usable cross-section of the cable trunking.

Delivery: pre-mounted

Used for: Cable trunking bases GKU...T70 and DKU...T70

Potential equalisation can alternatively be achieved using the GSWA ... coupler, please order separately.

To cover the joints in the visible area of the steel top section, GSAG ... couplers can be used, please order separately.



Apparatus Mounting Unit

2-part, steel upper section with closed, lockable transparent cover, base section with TS 35 mounting rail (hat profile) for max. 3 circuit breakers

Model No.	for cable trunking depth mm	Lid opening mm	Incl. Accessories	EAN code	Weight in kg per 100 pcs.	Smallest packaging unit
C AEE 78-20T90 C	T90	78	2 strain relief	244546	159,08	1 pc.

Bottom section for hanging in 2 rear loops of the apparatus mounting unit, with pre-assembled feed-through terminal blocks and potential equalisation connections to the covers

Slots for circuit breakers max. 3x 1-pole or 1x 3-pole in a width grid of 18 mm and a max. installation depth on the TS 35 mounting rail of 70 mm

Steel upper part flush with the cable trunking cover including 2 cable retainers

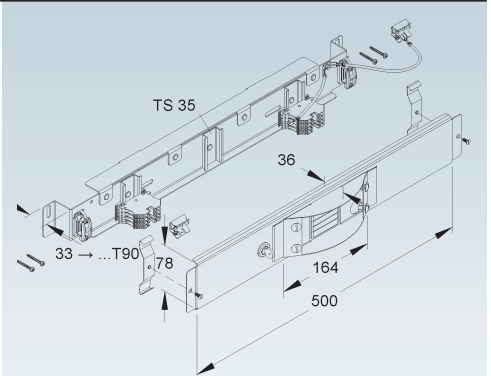
The cross-section approx. 4607 mm² must be deducted from the usable cross-section of the cable trunking.

Delivery: pre-mounted

Used for: Cable trunking bases GKU...T90 and DKU...T90

Potential equalisation can alternatively be achieved using the GSWA ... coupler, please order separately.

To cover the joints in the visible area of the steel top section, GSAG ... couplers can be used, please order separately.



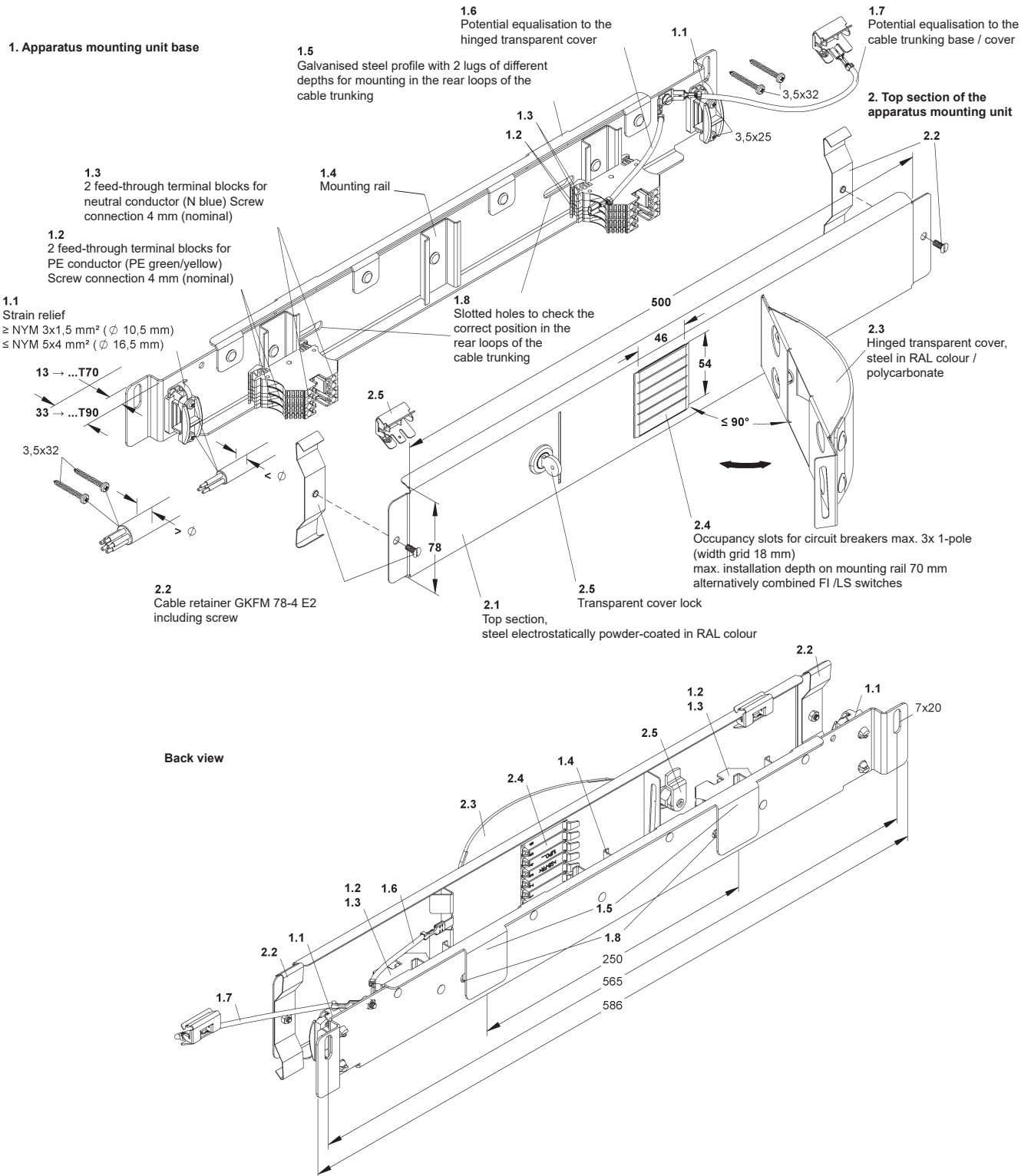
APPARATUS MOUNTING UNIT

Installation Instructions

AEE 78-20T70C and AEE 78-20T90C for cable trunking with 78 mm cover opening

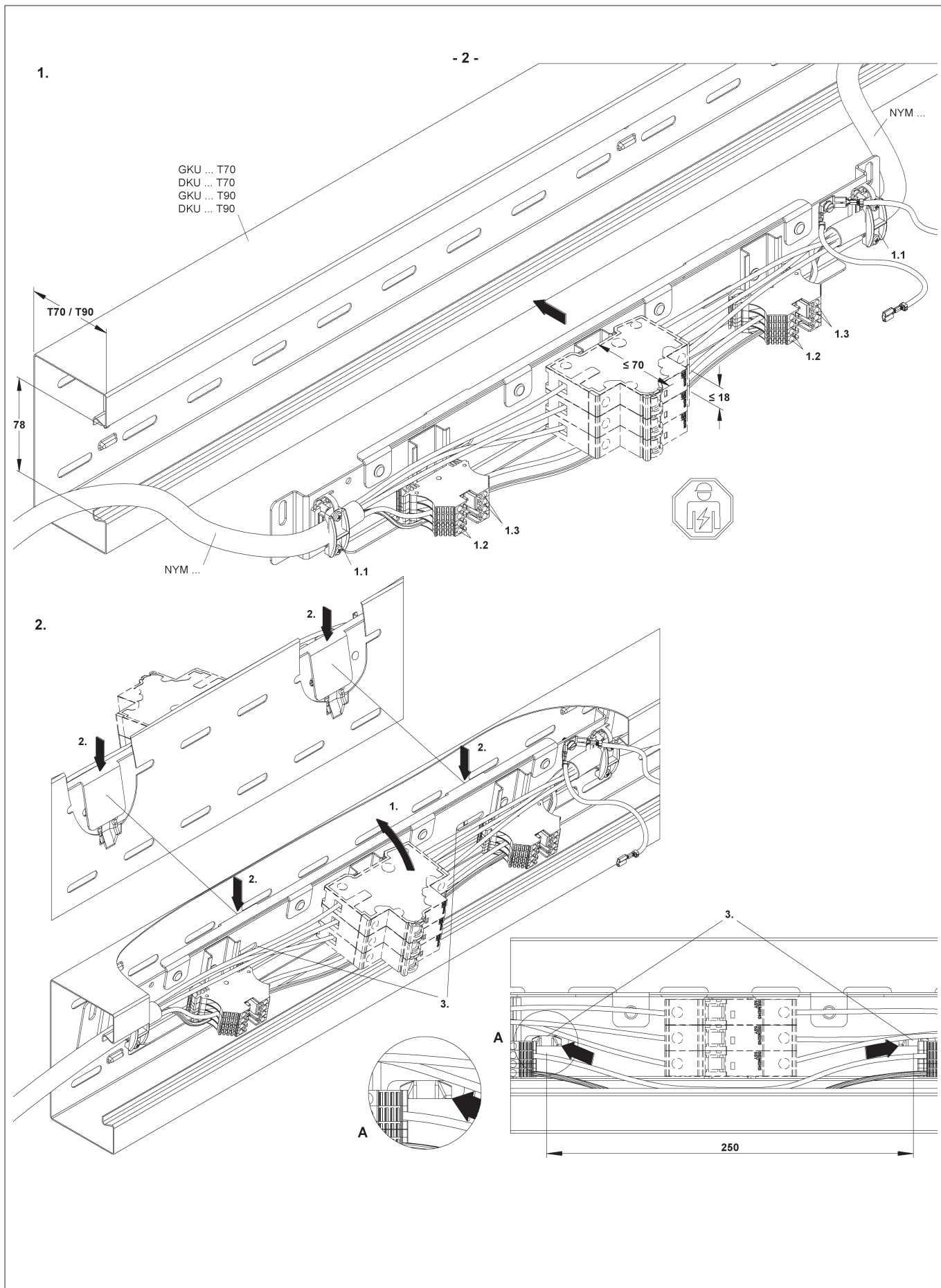
The apparatus mounting unit is primarily designed for horizontal installation, but can also be used vertically.

- 1 -



Installation Instructions

AEE 78-20T70C and AEE 78-20T90C for cable trunking with 78 mm cover opening



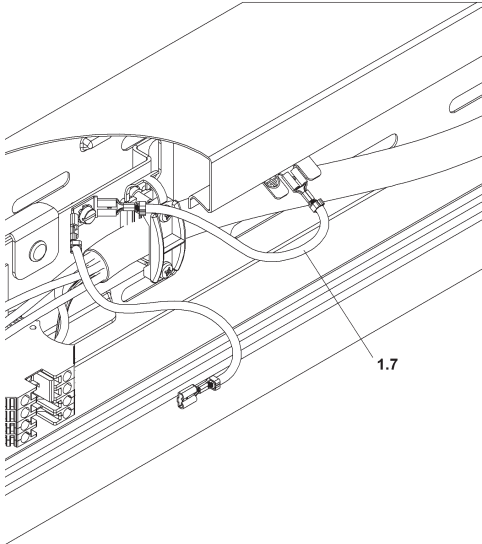
APPARATUS MOUNTING UNIT

Installation Instructions

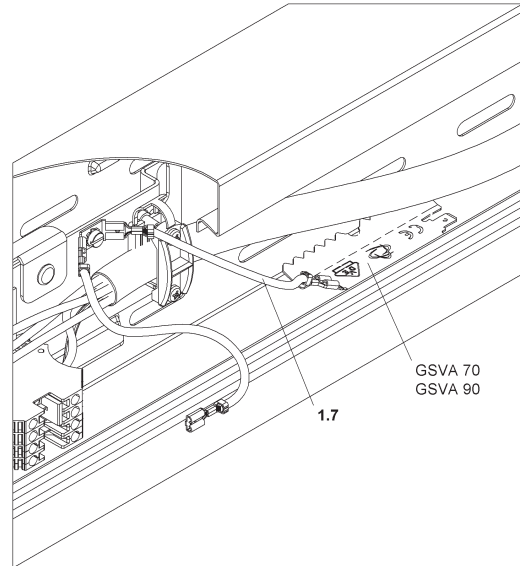
AEE 78-20T70C and **AEE 78-20T90C** for cable trunking with 78 mm cover opening

- 3 -

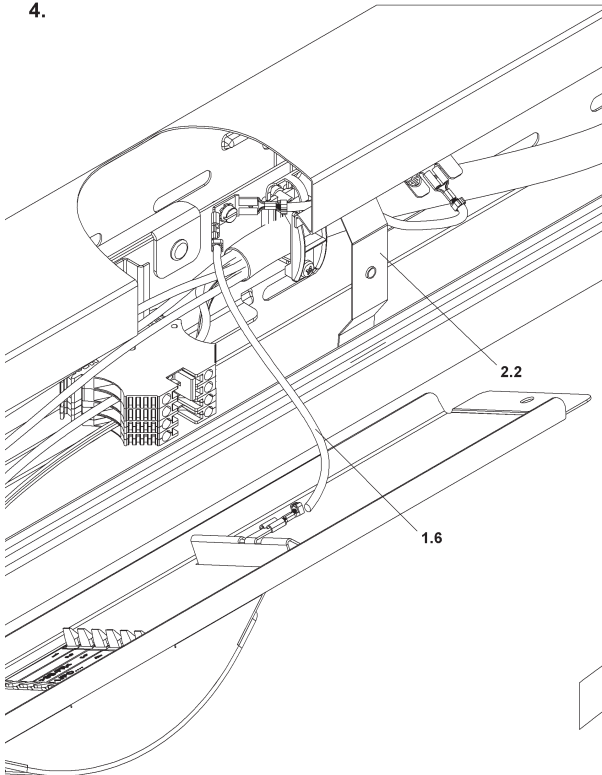
3.1



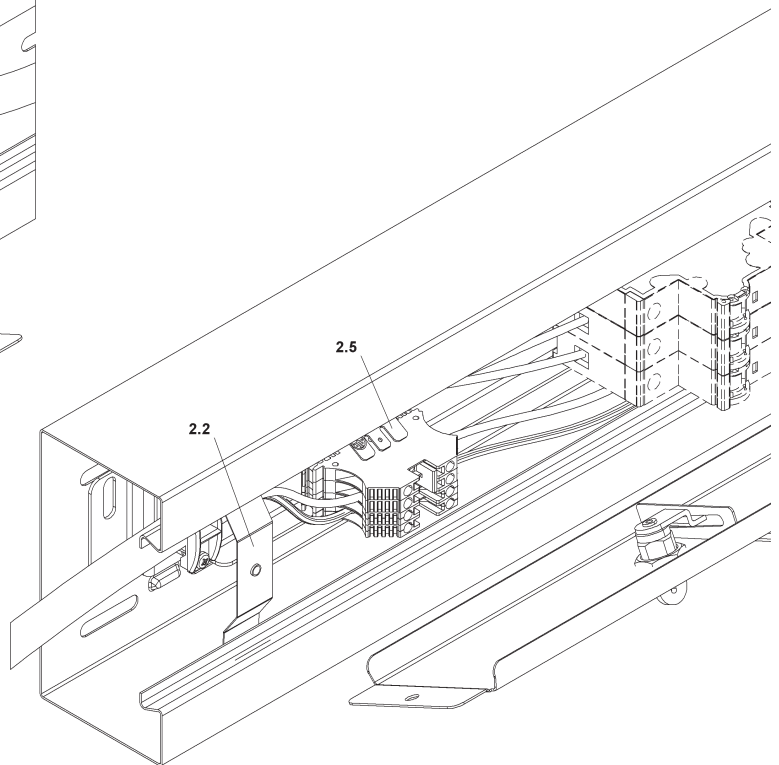
3.2



4.



5.

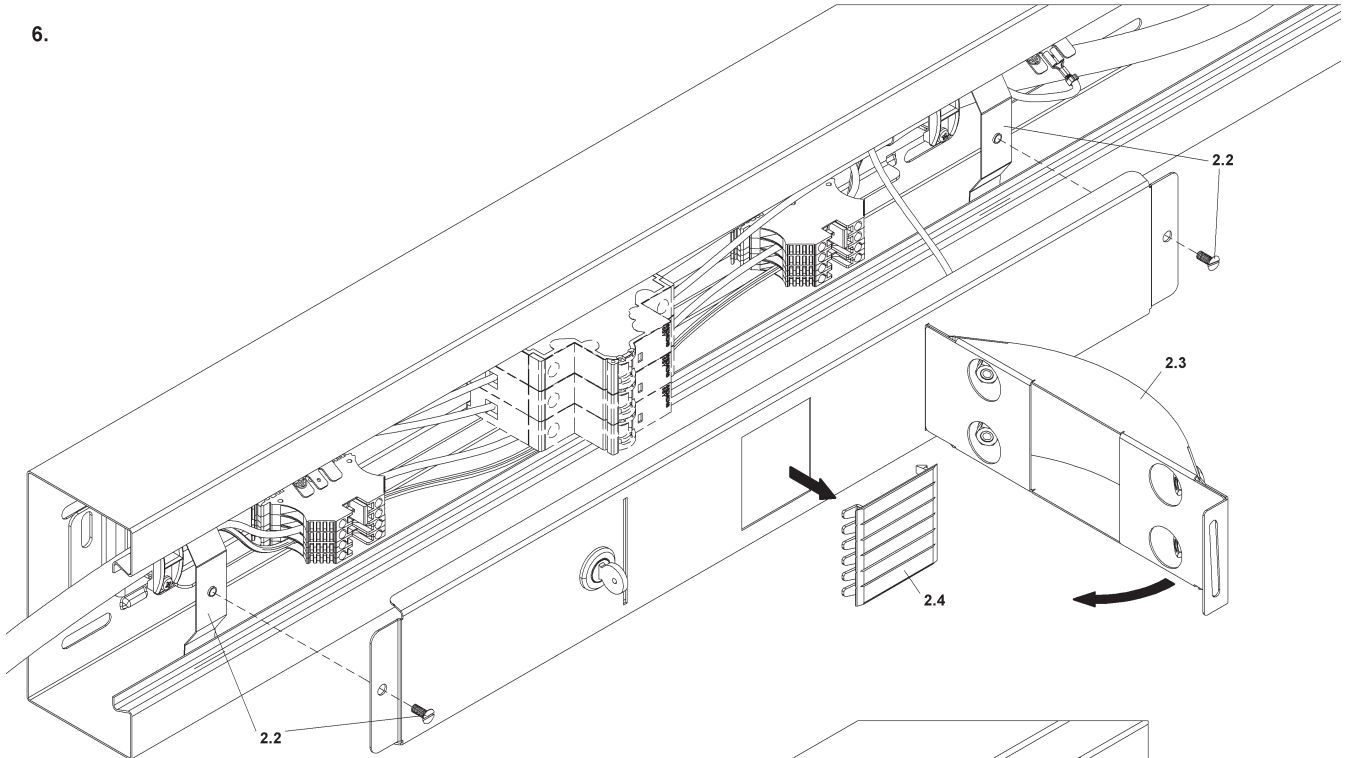


Installation Instructions

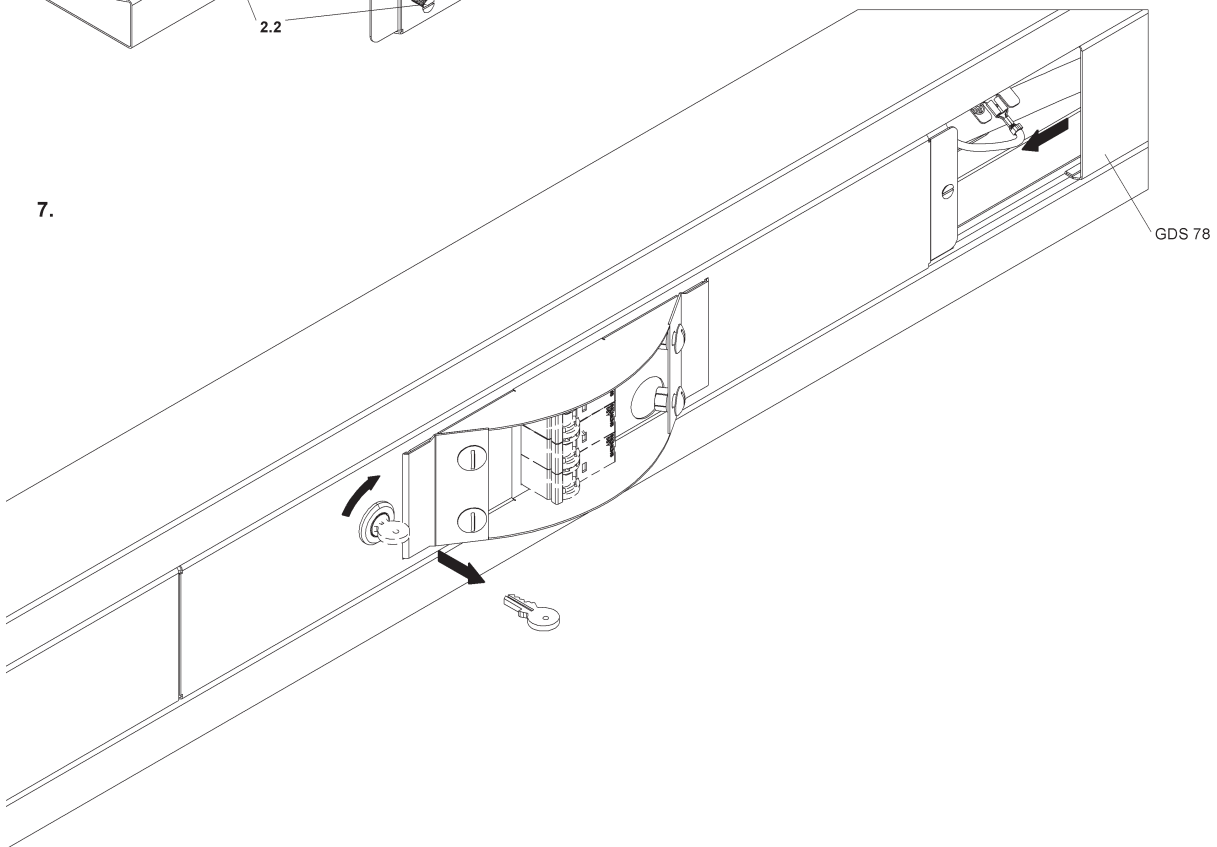
AEE 78-20T70C and AEE 78-20T90C for cable trunking with 78 mm cover opening

- 4 -

6.



7.





Niedax GmbH & Co. KG
Asbacher Str. 141 | D-53545 Linz/Rhine
Postfach 1286 | D-53541 Linz/Rhein
Phone: +49 (0) 2644/5606-0
info@niedax.de | www.niedax.com