

CABLE TRAY SYSTEM



- Cable Tray
- Barrier Strips
- Fittings
- Accessories
- Covers

All straight sections of cable tray as well as their corresponding system components (fittings, splice plates, covers, ...) are classified by UL in accordance with NEMA VE 1 for the USA and CSA C22.1 No. 126.1 for Canada. An 'X' in the part number will be added for labeling according to UL instructions (see catalog page 46).



CABLE TRAY SYSTEM

Available Side Rail Heights



SYSTEM			
	Cable Tray	RL...	Page 231
	Cable Tray	RLU...	Page 231
	Heavy Duty Cable Tray	RS...	Page 232
	Heavy Duty Cable Tray	RSU...	Page 232
	Distribution Cable Tray	RSV...	Page 233
ACCESSORIES	Edge Protection Ring	KSR 40 A	Page 233
	U-shaped Splice Plate	RV...	Page 234
	Three Piece Splice Plate Kit	RVV 110...	Page 234
	Splice Plate	RVV 110 E3	Page 234
	★ Universal Splice Plate	RSUV 110-1.5/200 S	Page 235
	Divider	RW 110...	Page 235
	Splice Plate for Divider	RTV 110 E2	Page 235
	Mounting Plate for Divider	RTPH 50	Page 235
	Mounting Plate for Divider with M6 Stud	RTPH 50 M6	Page 236
	Extension Horizontal Tee	RTA...	Page 236
	Horizontal Elbow Building Block	REK...	Page 236
	Flexible Horizontal Elbow 0-90°	RBAV...	Page 237
	Horizontal Elbow 45°	RBA...	Page 237
	Horizontal Elbow 90°	RES...	Page 237
	Horizontal Tee	RTS...	Page 238
	Horizontal Cross	RKS...	Page 238
	Reducer/Blind End	RA...	Page 238
	Adjustable Horizontal Splice/Reducer/Blind End	RAW...	Page 239
	Adjustable Vertical Splice Plate	RGV...	Page 239
	Splice/Link Kit	RGE...	Page 239
	Vertical Inside Elbow 45°	RSB...	Page 239
	Vertical Inside Elbow 90°	RSD...	Page 240
	Vertical Outside Elbow 45°	RFB...	Page 240
	Vertical Outside Elbow 90°	RFD...	Page 240
	Vertical Tee Down, lengthwise	RTL...	Page 241
	Vertical Tee Down, crosswise	RTQ...	Page 241
	Edge Protection Plate	RKB...	Page 241

See covers for cable trays and fittings on page 242 and following.



Cable Tray

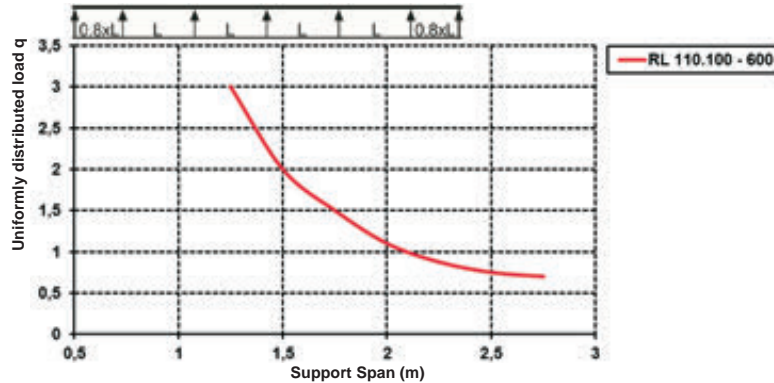
ventilated

	Model no.	Height H	Width B	Thick-ness t	Acc. incl.	Weight per 100 m/ kg	Pack/ Box Qty
		mm Inch	mm Inch	mm			
S	RL 110.100	110 4,3	100 3,9	0,9	8 FLM 6X12	216,07	2 x 3 m
S	RL 110.200	110 4,3	200 7,9	1,0	10 FLM 6X12	306,77	2 x 3 m
S	RL 110.300	110 4,3	300 11,8	1,0	10 FLM 6X12	374,30	2 x 3 m
S	RL 110.400	110 4,3	400 15,7	1,0	12 FLM 6X12	442,36	2 x 3 m
S	RL 110.500	110 4,3	500 19,7	1,0	12 FLM 6X12	509,90	2 x 3 m
S	RL 110.600	110 4,3	600 23,6	1,0	12 FLM 6X12	577,95	2 x 3 m
F	RL 110.100 F	110 4,3	100 3,9	0,9	8 FLM 6X12 F	237,72	2 x 3 m
F	RL 110.200 F	110 4,3	200 7,9	1,0	10 FLM 6X12 F	337,50	2 x 3 m
F	RL 110.300 F	110 4,3	300 11,8	1,0	10 FLM 6X12 F	411,79	2 x 3 m
F	RL 110.400 F	110 4,3	400 15,7	1,0	12 FLM 6X12 F	486,68	2 x 3 m
F	RL 110.500 F	110 4,3	500 19,7	1,0	12 FLM 6X12 F	560,97	2 x 3 m
F	RL 110.600 F	110 4,3	600 23,6	1,0	12 FLM 6X12 F	637,29	2 x 3 m
E3	RL 110.100 E3	110 4,3	100 3,9	0,8	8 FLM 6X12 E3	194,84	2 x 3 m
E3	RL 110.200 E3	110 4,3	200 7,9	0,8	10 FLM 6X12 E3	250,24	2 x 3 m
E3	RL 110.300 E3	110 4,3	300 11,8	0,8	10 FLM 6X12 E3	305,03	2 x 3 m
E3	RL 110.400 E3	110 4,3	400 15,7	0,9	12 FLM 6X12 E3	403,05	2 x 3 m
E3	RL 110.500 E3	110 4,3	500 19,7	0,9	12 FLM 6X12 E3	464,43	2 x 3 m
E3	RL 110.600 E3	110 4,3	600 23,6	0,9	12 FLM 6X12 E3	525,83	2 x 3 m

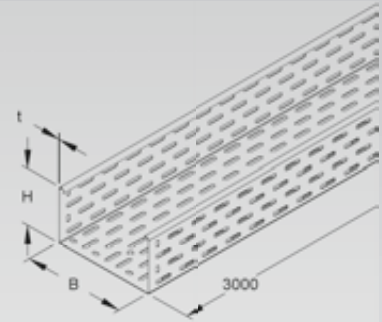
Centered punchholes allow hanging with M10 (3/8") threaded rod.

One RV... splice plate included with every piece of cable tray.

Load Chart: q = uniformly distributed load (tested according to DIN EN IEC 61537 standard)



Height 110 mm
Slope 4% incline

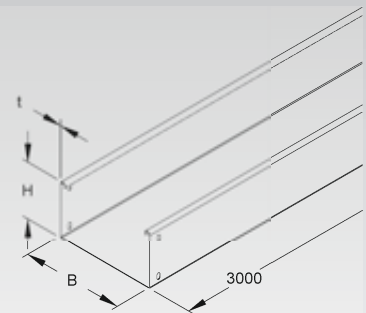


Cable Tray

solid, but with splice plate perforation

	Model no.	Height H	Width B	Thick-ness t	Acc. incl.	Weight per 100 m/ kg	Pack/ Box Qty
		mm Inch	mm Inch	mm			
S	RLU 110.100	110 4,3	100 3,9	0,9	8 FLM 6X12	251,65	2 x 3 m
S	RLU 110.200	110 4,3	200 7,9	1,0	10 FLM 6X12	359,32	2 x 3 m
S	RLU 110.300	110 4,3	300 11,8	1,0	10 FLM 6X12	439,82	2 x 3 m
S	RLU 110.400	110 4,3	400 15,7	1,0	12 FLM 6X12	520,85	2 x 3 m
S	RLU 110.500	110 4,3	500 19,7	1,0	12 FLM 6X12	601,39	2 x 3 m
S	RLU 110.600	110 4,3	600 23,6	1,0	12 FLM 6X12	683,01	2 x 3 m
F	RLU 110.100 F	110 4,3	100 3,9	0,9	8 FLM 6X12 F	276,86	2 x 3 m
F	RLU 110.200 F	110 4,3	200 7,9	1,0	10 FLM 6X12 F	394,70	2 x 3 m
F	RLU 110.300 F	110 4,3	300 11,8	1,0	10 FLM 6X12 F	483,88	2 x 3 m
F	RLU 110.400 F	110 4,3	400 15,7	1,0	12 FLM 6X12 F	573,01	2 x 3 m
F	RLU 110.500 F	110 4,3	500 19,7	1,0	12 FLM 6X12 F	661,62	2 x 3 m
F	RLU 110.600 F	110 4,3	600 23,6	1,0	12 FLM 6X12 F	751,42	2 x 3 m
E3	RLU 110.100 E3	110 4,3	100 3,9	0,8	8 FLM 6X12 E3	226,68	2 x 3 m
E3	RLU 110.200 E3	110 4,3	200 7,9	0,8	10 FLM 6X12 E3	292,55	2 x 3 m
E3	RLU 110.300 E3	110 4,3	300 11,8	0,8	10 FLM 6X12 E3	357,77	2 x 3 m
E3	RLU 110.400 E3	110 4,3	400 15,7	0,9	12 FLM 6X12 E3	474,14	2 x 3 m
E3	RLU 110.500 E3	110 4,3	500 19,7	0,9	12 FLM 6X12 E3	547,30	2 x 3 m
E3	RLU 110.600 E3	110 4,3	600 23,6	0,9	12 FLM 6X12 E3	620,57	2 x 3 m

Height 110 mm
Slope 4% incline



One RV... splice plate included with every piece of cable tray.

CABLE TRAY SYSTEM

Heavy Duty Cable Tray

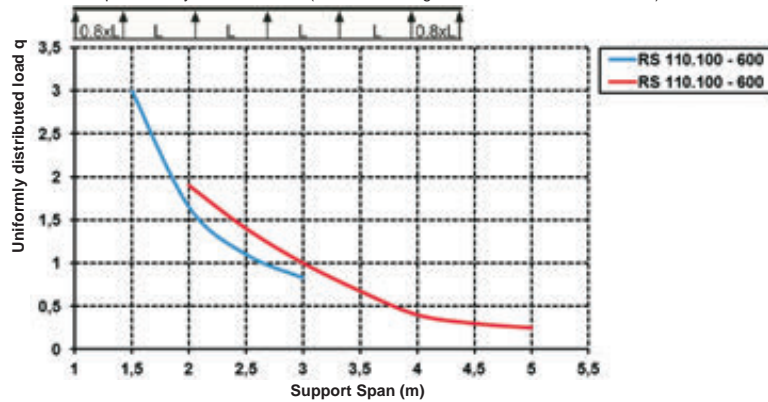
ventilated

	Model no.	Height H		Width B		Thick-ness t	Acc. incl.	Weight per 100 m/ kg	Pack/ Box Qty
		mm Inch	mm Inch	mm	mm				
S	RS 110.100	110 4,3	100 3,9	1,5	8 FLM 6X12	366,73	2 x 3 m		
S	RS 110.200	110 4,3	200 7,9	1,5	10 FLM 6X12	450,00	2 x 3 m		
S	RS 110.300	110 4,3	300 11,8	1,5	10 FLM 6X12	551,43	2 x 3 m		
S	RS 110.400	110 4,3	400 15,7	1,5	12 FLM 6X12	651,87	2 x 3 m		
S	RS 110.500	110 4,3	500 19,7	1,5	12 FLM 6X12	810,00	2 x 3 m		
S	RS 110.600	110 4,3	600 23,6	1,5	12 FLM 6X12	852,89	2 x 3 m		
F	RS 110.100 F	110 4,3	100 3,9	1,5	8 FLM 6X12 F	403,46	2 x 3 m		
F	RS 110.200 F	110 4,3	200 7,9	1,5	10 FLM 6X12 F	520,43	2 x 3 m		
F	RS 110.300 F	110 4,3	300 11,8	1,5	10 FLM 6X12 F	564,00	2 x 3 m		
F	RS 110.400 F	110 4,3	400 15,7	1,5	12 FLM 6X12 F	717,13	2 x 3 m		
F	RS 110.500 F	110 4,3	500 19,7	1,5	12 FLM 6X12 F	810,00	2 x 3 m		
F	RS 110.600 F	110 4,3	600 23,6	1,5	12 FLM 6X12 F	937,75	2 x 3 m		

Centered punchholes allow hanging with M10 (3/8") threaded rod.
Bottom plate and side rail perforated with staggered punch holes. Extra 7/16" punch holes (11 mm) for center hanging with threaded rod.

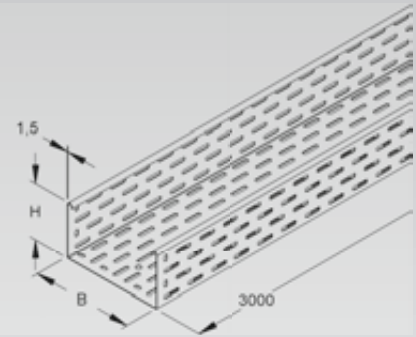
One RV... splice plate included with every piece of cable tray.

Load Chart: q = uniformly distributed load (tested according to DIN EN IEC 61537 standard)



Load rating with heavy duty splice plate RVV... in red.

Load rating with splice plate RV... in blue.

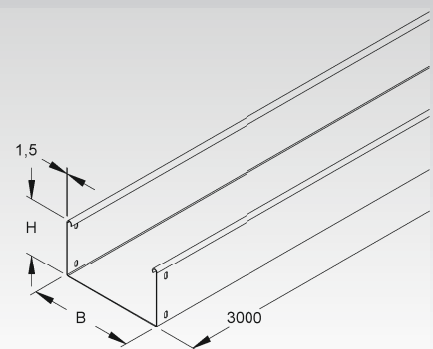


Heavy Duty Cable Tray

solid, but with splice plate perforation

	Model no.	Height H		Width B		Thick-ness t	Acc. incl.	Weight per 100 m/ kg	Pack/ Box Qty
		mm Inch	mm Inch	mm	mm				
S	RSU 110.100	110 4,3	100 3,9	1,5	8 FLM 6X12	409,65	2 x 3 m		
S	RSU 110.200	110 4,3	200 7,9	1,5	10 FLM 6X12	529,99	2 x 3 m		
S	RSU 110.300	110 4,3	300 11,8	1,5	10 FLM 6X12	649,72	2 x 3 m		
S	RSU 110.400	110 4,3	400 15,7	1,5	12 FLM 6X12	769,99	2 x 3 m		
S	RSU 110.500	110 4,3	500 19,7	1,5	12 FLM 6X12	889,79	2 x 3 m		
S	RSU 110.600	110 4,3	600 23,6	1,5	12 FLM 6X12	1.010,04	2 x 3 m		
F	RSU 110.100 F	110 4,3	100 3,9	1,5	8 FLM 6X12 F	450,63	2 x 3 m		
F	RSU 110.200 F	110 4,3	200 7,9	1,5	10 FLM 6X12 F	583,01	2 x 3 m		
F	RSU 110.300 F	110 4,3	300 11,8	1,5	10 FLM 6X12 F	714,76	2 x 3 m		
F	RSU 110.400 F	110 4,3	400 15,7	1,5	12 FLM 6X12 F	847,03	2 x 3 m		
F	RSU 110.500 F	110 4,3	500 19,7	1,5	12 FLM 6X12 F	978,81	2 x 3 m		
F	RSU 110.600 F	110 4,3	600 23,6	1,5	12 FLM 6X12 F	1.111,18	2 x 3 m		

One RV... splice plate included with every piece of cable tray.

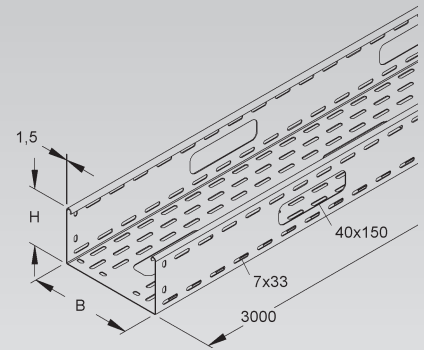


Distribution Cable Tray

ventilated

	Model no.	Height H		Width B		Thick-ness t	Acc. incl.	Weight per 100 m kg	Pack/ Box Qty
		mm	Inch	mm	Inch				
S	RSV 110.100 S	110	4,3	100	3,9	1,5	12 FLM 6X12	333,62	2 x 3 m
S	RSV 110.150 S	110	4,3	150	5,9	1,5	12 FLM 6X12	383,76	2 x 3 m
S	RSV 110.200 S	110	4,3	200	7,9	1,5	12 FLM 6X12	433,91	2 x 3 m
S	RSV 110.300 S	110	4,3	300	11,8	1,5	12 FLM 6X12	537,44	2 x 3 m
S	RSV 110.400 S	110	4,3	400	15,7	1,5	12 FLM 6X12	647,42	2 x 3 m
F	RSV 110.100 F	110	4,3	100	3,9	1,5	12 FLM 6X12 F	366,66	2 x 3 m
F	RSV 110.150 F	110	4,3	150	5,9	1,5	12 FLM 6X12 F	421,82	2 x 3 m
F	RSV 110.200 F	110	4,3	200	7,9	1,5	12 FLM 6X12 F	476,98	2 x 3 m
F	RSV 110.300 F	110	4,3	300	11,8	1,5	12 FLM 6X12 F	590,86	2 x 3 m
F	RSV 110.400 F	110	4,3	400	15,7	1,5	12 FLM 6X12 F	711,84	2 x 3 m

Height 110 mm
Nominal 4 3/8 inches
Eye icon
57

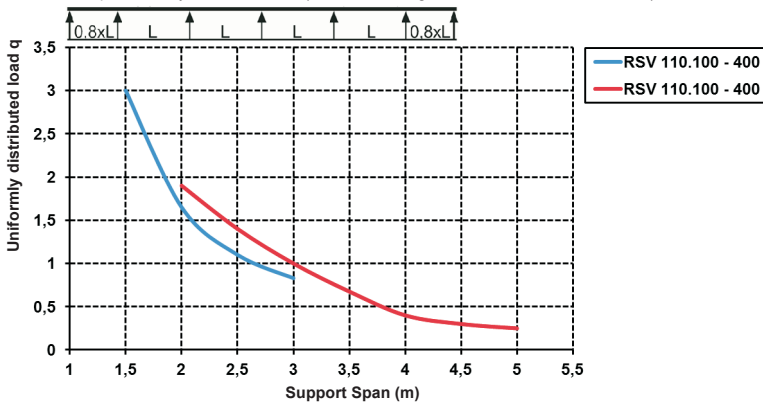


Hole pattern may vary based on width of tray.

Multiple cable drop outs are punched into the bottom part and the flange of tray.

One RV... splice plate included with every piece of cable tray.

Load Chart: q = uniformly distributed load (tested according to DIN EN IEC 61537 standard)



Load rating with heavy duty splice plate RVV... in red.

Load rating with splice plate RV... in blue.

Edge Protection Ring

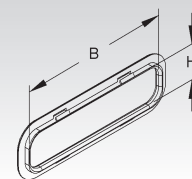
UV resistant

Model no.	Color	Inside height H		Inside dimension B		Weight per 100 pcs kg	Pack/ Box Qty
		mm	Inch	mm	Inch		
K04	black	34,5	1,4	144,5	5,7	0,97	20

to protect cables at the knockouts

Suitable for: distribution cable trays RLCPV 85... OV and RSV 110...

Icons: HX, X, i, i
44 45

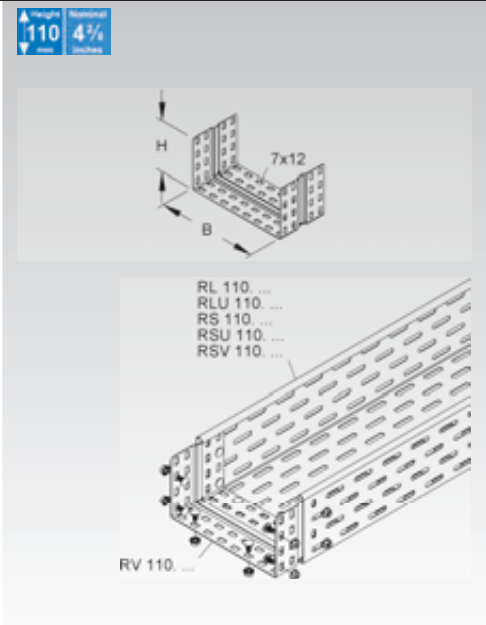


CABLE TRAY SYSTEM

U-shaped Splice Plate

Model no.	Height H		Width B		Acc. incl.	Weight per 100 pcs./pc./ kg	Pack/Box Qty
	mm	Inch	mm	Inch			
S RV 110.100	99	3,9	97	3,8	8 FLM 6X12	23,77	1
S RV 110.150	99	3,9	147	5,8	8 FLM 6X12	26,84	1
S RV 110.200	99	3,9	197	7,8	10 FLM 6X12	31,51	1
S RV 110.300	99	3,9	297	11,7	10 FLM 6X12	37,65	1
S RV 110.400	99	3,9	397	15,6	12 FLM 6X12	45,38	1
S RV 110.500	99	3,9	497	19,6	12 FLM 6X12	51,52	1
S RV 110.600	99	3,9	597	23,5	12 FLM 6X12	62,77	1
F RV 110.100 F	99	3,9	97	3,8	8 FLM 6X12 F	26,31	1
F RV 110.150 F	99	3,9	147	5,8	8 FLM 6X12 F	29,68	1
F RV 110.200 F	99	3,9	197	7,8	10 FLM 6X12 F	34,86	1
F RV 110.300 F	99	3,9	297	11,7	10 FLM 6X12 F	41,62	1
F RV 110.400 F	99	3,9	397	15,6	12 FLM 6X12 F	50,16	1
F RV 110.500 F	99	3,9	497	19,6	12 FLM 6X12 F	56,91	1
F RV 110.600 F	99	3,9	597	23,5	12 FLM 6X12 F	67,26	1
E3 RV 110.100 E3	99	3,9	97	3,8	8 FLM 6X12 E3	24,76	1
E3 RV 110.200 E3	99	3,9	197	7,8	10 FLM 6X12 E3	32,76	1
E3 RV 110.300 E3	99	3,9	297	11,7	10 FLM 6X12 E3	38,94	1
E3 RV 110.400 E3	99	3,9	397	15,6	12 FLM 6X12 E3	46,93	1
E3 RV 110.500 E3	99	3,9	497	19,6	12 FLM 6X12 E3	53,11	1
E3 RV 110.600 E3	99	3,9	597	23,5	12 FLM 6X12 E3	59,52	1

Suitable for: cable trays RL..., RLU..., RS..., RSU... and RSV...

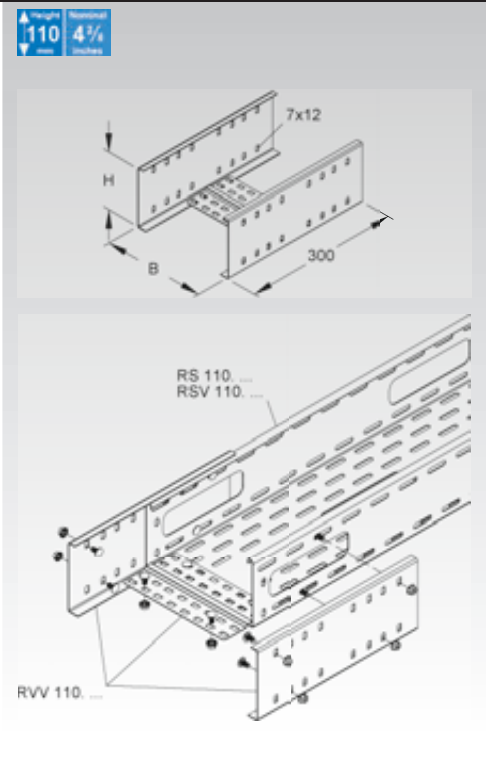


Three Piece Splice Plate Kit

Model no.	Height H		Width B		Acc. incl.	Weight per 100 pcs./pc./ kg	Pack/Box Qty
	mm	Inch	mm	Inch			
S RVV 110.100	111	4,4	100	3,9	12 FLM 6X12	112,36	5
S RVV 110.150	111	4,4	150	5,9	12 FLM 6X12	115,83	5
S RVV 110.200	111	4,4	200	7,9	12 FLM 6X12	119,30	5
S RVV 110.300	111	4,4	300	11,8	12 FLM 6X12	126,24	5
S RVV 110.400	111	4,4	400	15,7	12 FLM 6X12	133,18	5
S RVV 110.500	111	4,4	500	19,7	12 FLM 6X12	140,12	5
S RVV 110.600	111	4,4	600	23,6	12 FLM 6X12	147,06	5
F RVV 110.100 F	111	4,4	100	3,9	12 FLM 6X12 F	124,14	5
F RVV 110.150 F	111	4,4	150	5,9	12 FLM 6X12 F	127,95	5
F RVV 110.200 F	111	4,4	200	7,9	12 FLM 6X12 F	131,77	5
F RVV 110.300 F	111	4,4	300	11,8	12 FLM 6X12 F	139,40	5
F RVV 110.400 F	111	4,4	400	15,7	12 FLM 6X12 F	147,04	5
F RVV 110.500 F	111	4,4	500	19,7	12 FLM 6X12 F	154,67	5
F RVV 110.600 F	111	4,4	600	23,6	12 FLM 6X12 F	162,31	5

heavy duty splice kit to extend support span

Suitable for: extending support span of RS.../RSV 110... tray up to 5 meters

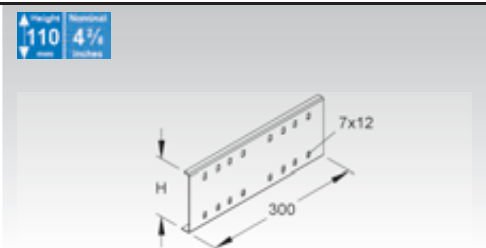


Splice Plate

Model no.	Height H		Acc. incl.	Weight per 100 pcs/kg	Pack/Box Qty
	mm	Inch			
E3 RVV 110 E3	111	4,4	4 FLM 6X12 E3	51,18	10

heavy duty splice kit to extend support span

2 pieces required per joint

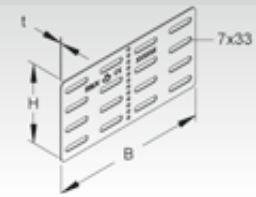


Universal Splice Plate

Model no.	Height H mm Inch	Width B mm Inch	Thick-ness t mm	Acc. incl.	Weight per 100 kg	Pack/ Box Qty
S RSUV 110-1.5/200 S	102 4	200 7,9	1,5	4 FLM 6X12	19,58	50

for straight and angled joints

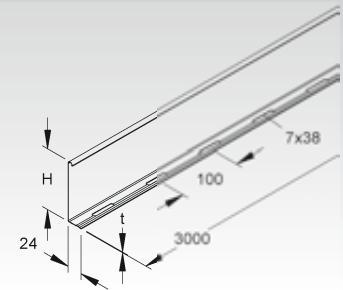
2 pieces required per joint



Divider

Model no.	Height H mm Inch	Thick-ness t mm	Acc. incl.	Weight per 100 m kg	Pack/ Box Qty
S RW 110	98 3,9	0,9	4 FLM 6X12	90,37	10 x 3 m
F RW 110 F	98 3,9	0,9	4 FLM 6X12 F	99,30	10 x 3 m
E3 RW 110 E3	98 3,9	0,9	4 FLM 6X12 E3	88,73	10 x 3 m

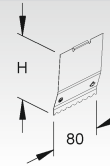
to separate wires and cables of different voltage levels or with different functions



Splice Plate for Divider

Model no.	Height H mm Inch	Length L mm Inch	Weight per 100 pcs kg	Pack/ Box Qty
E2 RTV 110 E2	97,5 3,8	80 3,1	2,5	20

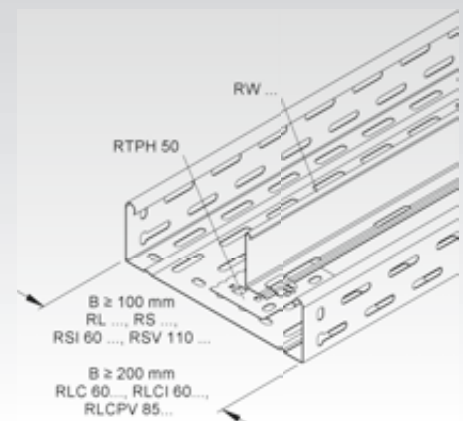
for positive locking connections and proper bonding of dividers



Mounting Plate for Divider

Model no.	Length L mm Inch	Width B mm Inch	Thick-ness t mm	Weight per 100 pcs kg	Pack/ Box Qty
S RTPH 50	83 3,3	59 2,3	0,9	3,36	20

Mounting plate with locking mechanism for fast installation of dividers in ventilated cable tray series RL.../RS... series (min. width 100 mm) and ventilated cable trays series RLCI 60... / RLCPV 85... (min. width 200 mm).

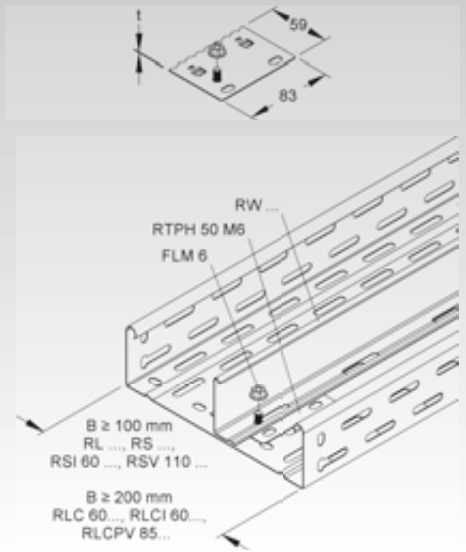


CABLE TRAY SYSTEM

Mounting Plate for Divider with M6 Stud

Model no.	Length L mm Inch	Width B mm Inch	Thick-ness t mm	Acc. incl.	Weight per 100 pcs kg	Pack/Box Qty
S RTPH 50 M6	83 3,3	59 2,3	0,9	1 SMF6	3,98	50

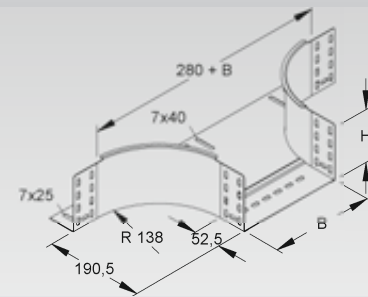
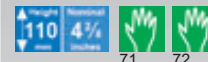
Mounting plate with locking mechanism for fast installation of dividers in ventilated cable tray series RL.../RS... series (min. width 100 mm) and ventilated cable trays series RLCI 60... / RLCPV 85... (min. width 200 mm). With M6 locking stud.



Extension Horizontal Tee

with integrated splice

Model no.	Height H mm Inch	Inside dimension B mm Inch	Acc. incl.	Weight per 100 pcs/pc. kg	Pack/Box Qty
S RTA 110.100	110 4,3	102 4	10 FLM 6X12	106,56	1
S RTA 110.150	110 4,3	152 6	10 FLM 6X12	115,02	1
S RTA 110.200	110 4,3	202 8	10 FLM 6X12	123,48	1
S RTA 110.300	110 4,3	302 11,9	10 FLM 6X12	140,40	1
S RTA 110.400	110 4,3	402 15,8	10 FLM 6X12	157,60	1
S RTA 110.500	110 4,3	502 19,8	10 FLM 6X12	174,06	1
S RTA 110.600	110 4,3	602 23,7	10 FLM 6X12	192,18	1
F RTA 110.100 F	110 4,3	102 4	10 FLM 6X12 F	117,42	1
F RTA 110.150 F	110 4,3	152 6	10 FLM 6X12 F	126,72	1
F RTA 110.200 F	110 4,3	202 8	10 FLM 6X12 F	136,03	1
F RTA 110.300 F	110 4,3	302 11,9	10 FLM 6X12 F	154,64	1
F RTA 110.400 F	110 4,3	402 15,8	10 FLM 6X12 F	173,56	1
F RTA 110.500 F	110 4,3	502 19,8	10 FLM 6X12 F	191,67	1
F RTA 110.600 F	110 4,3	602 23,7	10 FLM 6X12 F	211,85	1
E3 RTA 110.100 E3	110 4,3	102 4	10 FLM 6X12 E3	98,25	1
E3 RTA 110.200 E3	110 4,3	202 8	10 FLM 6X12 E3	113,34	1
E3 RTA 110.300 E3	110 4,3	302 11,9	10 FLM 6X12 E3	128,48	1
E3 RTA 110.400 E3	110 4,3	402 15,8	10 FLM 6X12 E3	163,15	1
E3 RTA 110.500 E3	110 4,3	502 19,8	10 FLM 6X12 E3	181,62	1
E3 RTA 110.600 E3	110 4,3	602 23,7	10 FLM 6X12 E3	200,54	1

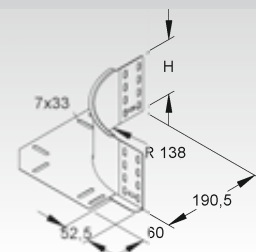


Horizontal Elbow Building Block

with integrated splice

Model no.	Height H mm Inch	Acc. incl.	Weight per 100 pcs kg	Pack/Box Qty
S REK 110	110 4,3	6 FLM 6X12	51,84	1
F REK 110 F	110 4,3	6 FLM 6X12 F	57,14	1
E3 REK 110 E3	110 4,3	6 FLM 6X12 E3	47,88	1

for building customized horizontal cable tray fittings

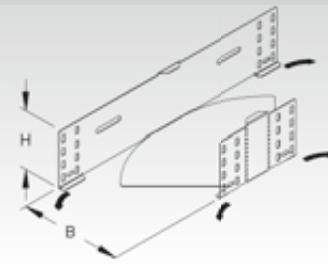


Flexible Horizontal Elbow 0-90°

with integrated splice

	Model no.	Height H		Inside dimension B		Acc. incl.	Weight per 100 pcs./pc./ kg	Pack/ Box Qty
		mm	Inch	mm	Inch			
S	RBAV 110.100	110	4,3	100	3,9	10 FLM 6X12	63,79	1
S	RBAV 110.150	110	4,3	150	5,9	10 FLM 6X12	80,92	1
S	RBAV 110.200	110	4,3	200	7,9	10 FLM 6X12	98,85	1
S	RBAV 110.300	110	4,3	300	11,8	10 FLM 6X12	147,40	1
S	RBAV 110.400	110	4,3	400	15,7	10 FLM 6X12	205,26	1
S	RBAV 110.500	110	4,3	500	19,7	14 FLM 6X12	282,04	1
S	RBAV 110.600	110	4,3	600	23,6	14 FLM 6X12	366,80	1

Height 110 mm
Tolerance 4%

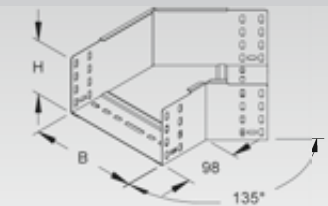


Horizontal Elbow 45°

with integrated splice

	Model no.	Height H		Inside dimension B		Acc. incl.	Weight per 100 pcs./pc./ kg	Pack/ Box Qty
		mm	Inch	mm	Inch			
S	RBA 110.100	110	4,3	102	4	4 FLM 6X12	63,30	1
S	RBA 110.150	110	4,3	152	6	4 FLM 6X12	79,30	1
S	RBA 110.200	110	4,3	202	8	5 FLM 6X12	96,90	1
S	RBA 110.300	110	4,3	302	11,9	5 FLM 6X12	137,00	1
S	RBA 110.400	110	4,3	402	15,8	6 FLM 6X12	183,80	1
S	RBA 110.500	110	4,3	502	19,8	6 FLM 6X12	236,90	1
S	RBA 110.600	110	4,3	602	23,7	6 FLM 6X12	300,12	1
F	RBA 110.100 F	110	4,3	102	4	4 FLM 6X12 F	72,94	1
F	RBA 110.150 F	110	4,3	152	6	4 FLM 6X12 F	85,20	1
F	RBA 110.200 F	110	4,3	202	8	5 FLM 6X12 F	111,33	1
F	RBA 110.300 F	110	4,3	302	11,9	5 FLM 6X12 F	155,18	1
F	RBA 110.400 F	110	4,3	402	15,8	6 FLM 6X12 F	207,49	1
F	RBA 110.500 F	110	4,3	502	19,8	6 FLM 6X12 F	265,65	1
F	RBA 110.600 F	110	4,3	602	23,7	6 FLM 6X12 F	331,19	1

Height 110 mm
Tolerance 4%

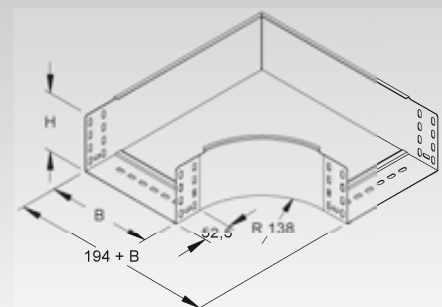


Horizontal Elbow 90°

with integrated splice

	Model no.	Height H		Inside dimension B		Acc. incl.	Weight per 100 pcs./pc./ kg	Pack/ Box Qty
		mm	Inch	mm	Inch			
S	RES 110.100	110	4,3	102	4	4 FLM 6X12	130,87	1
S	RES 110.150	110	4,3	152	6	4 FLM 6X12	163,59	1
S	RES 110.200	110	4,3	202	8	5 FLM 6X12	210,10	1
S	RES 110.300	110	4,3	302	11,9	5 FLM 6X12	300,12	1
S	RES 110.400	110	4,3	402	15,8	6 FLM 6X12	406,21	1
S	RES 110.500	110	4,3	502	19,8	6 FLM 6X12	527,62	1
S	RES 110.600	110	4,3	602	23,7	6 FLM 6X12	664,74	1
F	RES 110.100 F	110	4,3	102	4	4 FLM 6X12 F	144,04	1
F	RES 110.150 F	110	4,3	152	6	4 FLM 6X12 F	180,03	1
F	RES 110.200 F	110	4,3	202	8	5 FLM 6X12 F	231,21	1
F	RES 110.300 F	110	4,3	302	11,9	5 FLM 6X12 F	330,23	1
F	RES 110.400 F	110	4,3	402	15,8	6 FLM 6X12 F	446,95	1
F	RES 110.500 F	110	4,3	502	19,8	6 FLM 6X12 F	580,50	1
F	RES 110.600 F	110	4,3	602	23,7	6 FLM 6X12 F	731,33	1

Height 110 mm
Tolerance 4%

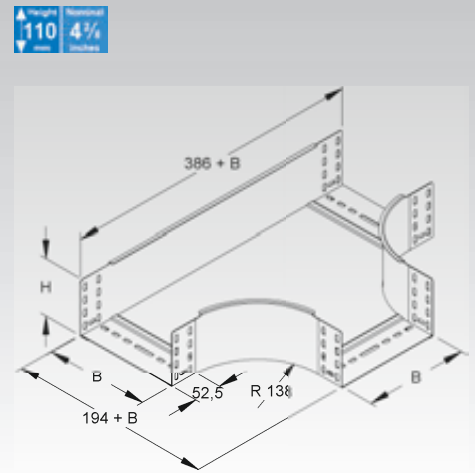


CABLE TRAY SYSTEM

Horizontal Tee

with integrated splice

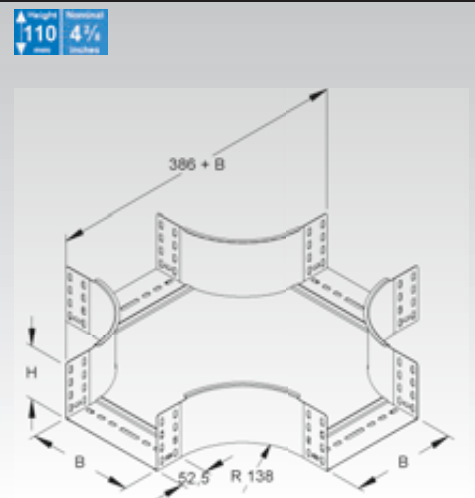
	Model no.	Height H		Inside dimension B		Acc. incl.	Weight per 100 pcs./pc./kg	Pack/Box Qty
		mm	Inch	mm	Inch			
S	RTS 110.100	110	4,3	102	4	8 FLM 6X12	171,34	1
S	RTS 110.150	110	4,3	152	6	8 FLM 6X12	205,51	1
S	RTS 110.200	110	4,3	202	8	10 FLM 6X12	257,52	1
S	RTS 110.300	110	4,3	302	11,9	10 FLM 6X12	351,91	1
S	RTS 110.400	110	4,3	402	15,8	12 FLM 6X12	463,60	1
S	RTS 110.500	110	4,3	502	19,8	12 FLM 6X12	589,39	1
S	RTS 110.600	110	4,3	602	23,7	12 FLM 6X12	732,32	1
F	RTS 110.100 F	110	4,3	102	4	8 FLM 6X12 F	188,63	1
F	RTS 110.150 F	110	4,3	152	6	8 FLM 6X12 F	226,22	1
F	RTS 110.200 F	110	4,3	202	8	10 FLM 6X12 F	283,47	1
F	RTS 110.300 F	110	4,3	302	11,9	10 FLM 6X12 F	387,30	1
F	RTS 110.400 F	110	4,3	402	15,8	12 FLM 6X12 F	510,20	1
F	RTS 110.500 F	110	4,3	502	19,8	12 FLM 6X12 F	648,57	1
F	RTS 110.600 F	110	4,3	602	23,7	12 FLM 6X12 F	804,21	1



Horizontal Cross

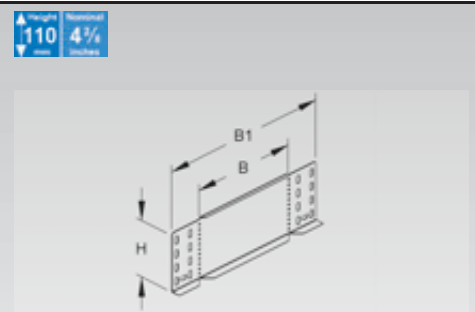
with integrated splice

	Model no.	Height H		Inside dimension B		Acc. incl.	Weight per 100 pcs./pc./kg	Pack/Box Qty
		mm	Inch	mm	Inch			
S	RKS 110.100	110	4,3	102	4	12 FLM 6X12	216,46	1
S	RKS 110.150	110	4,3	152	6	12 FLM 6X12	256,03	1
S	RKS 110.200	110	4,3	202	8	15 FLM 6X12	301,93	1
S	RKS 110.300	110	4,3	302	11,9	15 FLM 6X12	400,69	1
S	RKS 110.400	110	4,3	402	15,8	18 FLM 6X12	517,56	1
S	RKS 110.500	110	4,3	502	19,8	18 FLM 6X12	647,72	1
S	RKS 110.600	110	4,3	602	23,7	18 FLM 6X12	797,59	1
F	RKS 110.100 F	110	4,3	102	4	12 FLM 6X12 F	238,35	1
F	RKS 110.150 F	110	4,3	152	6	12 FLM 6X12 F	281,87	1
F	RKS 110.200 F	110	4,3	202	8	15 FLM 6X12 F	332,42	1
F	RKS 110.300 F	110	4,3	302	11,9	15 FLM 6X12 F	441,06	1
F	RKS 110.400 F	110	4,3	402	15,8	18 FLM 6X12 F	569,68	1
F	RKS 110.500 F	110	4,3	502	19,8	18 FLM 6X12 F	712,85	1
F	RKS 110.600 F	110	4,3	602	23,7	18 FLM 6X12 F	878,25	1



Reducer/Blind End

	Model no.	Height H		Width B		Width B1	Acc. incl.	Weight per 100 pcs./pc./kg	Pack/Box Qty	
		mm	Inch	mm	Inch					mm
S	RA 110.050	110	4,3	50	2	172	6,8	4 FLM 6X12	18,64	20
S	RA 110.150	110	4,3	150	5,9	272	10,7	4 FLM 6X12	29,14	20
S	RA 110.200	110	4,3	200	7,9	322	12,7	4 FLM 6X12	34,39	20
S	RA 110.350	110	4,3	350	13,8	472	18,6	4 FLM 6X12	50,13	20
S	RA 110.400	110	4,3	400	15,7	522	20,6	4 FLM 6X12	55,38	20
S	RA 110.500	110	4,3	500	19,7	622	24,5	4 FLM 6X12	65,87	20
S	RA 110.600	110	4,3	600	23,6	722	28,4	4 FLM 6X12	76,37	20
F	RA 110.050 F	110	4,3	50	2	172	6,8	4 FLM 6X12 F	20,68	1
F	RA 110.150 F	110	4,3	150	5,9	272	10,7	4 FLM 6X12 F	32,23	1
F	RA 110.200 F	110	4,3	200	7,9	322	12,7	4 FLM 6X12 F	38,01	1
F	RA 110.350 F	110	4,3	350	13,8	472	18,6	4 FLM 6X12 F	55,32	1
F	RA 110.400 F	110	4,3	400	15,7	522	20,6	4 FLM 6X12 F	61,10	1
F	RA 110.500 F	110	4,3	500	19,7	622	24,5	4 FLM 6X12 F	72,64	1
F	RA 110.600 F	110	4,3	600	23,6	722	28,4	4 FLM 6X12 F	84,19	1
E3	RA 110.050 E3	110	4,3	50	2	172	6,8	4 FLM 6X12 E3	17,30	20
E3	RA 110.200 E3	110	4,3	200	7,9	322	12,7	4 FLM 6X12 E3	31,58	20
E3	RA 110.400 E3	110	4,3	400	15,7	522	20,6	4 FLM 6X12 E3	50,63	20
E3	RA 110.500 E3	110	4,3	500	19,7	622	24,5	4 FLM 6X12 E3	60,15	20
E3	RA 110.600 E3	110	4,3	600	23,6	722	28,4	4 FLM 6X12 E3	69,68	20

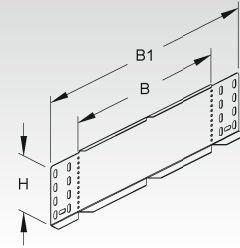


can be used as blind end or as reducer for cable trays

Adjustable Horizontal Splice/Reducer/Blind End

Model no.	Height H	Width B	Width B1	Acc. incl.	Weight per 100 pcs	Pack/Box Qty
	mm Inch	mm Inch	mm Inch		kg	
S RAW 110.100	110 4,3	100 3,9	222 8,7	4 FLM 6X12	23,60	20
S RAW 110.300	110 4,3	300 11,8	422 16,6	4 FLM 6X12	44,59	20
F RAW 110.100 F	110 4,3	100 3,9	222 8,7	4 FLM 6X12 F	26,14	1
F RAW 110.300 F	110 4,3	300 11,8	422 16,6	4 FLM 6X12 F	49,23	1
E3 RAW 110.100 E3	110 4,3	100 3,9	222 8,7	4 FLM 6X12 E3	21,80	20
E3 RAW 110.300 E3	110 4,3	300 11,8	422 16,6	4 FLM 6X12 E3	40,85	20

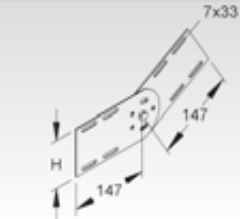
can be used as blind end or as reducer for cable trays



Adjustable Vertical Splice Plate

Model no.	Height H	Acc. incl.	Weight per 100 pcs	Pack/Box Qty
	mm Inch		kg	
S RGV 110	93 3,7	4 FLM 6X12	40,99	25
F RGV 110 F	93 3,7	4 FLM 6X12 F	44,51	25
E3 RGV 110 E3	93 3,7	4 FLM 6X12 E3	28,98	25

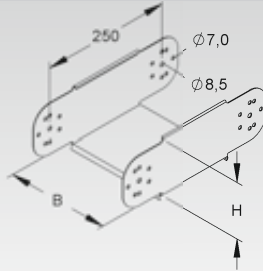
2 pieces required per joint



Splice/Link Kit

Model no.	Height H	Width B	Acc. incl.	Weight per 100 pcs/pc./kg	Pack/Box Qty
	mm Inch	mm Inch			
S RGE 110.100	110 4,3	100 3,9	2 SKM 8X16 V	97,55	1
S RGE 110.150	110 4,3	150 5,9	2 SKM 8X16 V	102,69	1
S RGE 110.200	110 4,3	200 7,9	2 SKM 8X16 V	107,83	1
S RGE 110.300	110 4,3	300 11,8	2 SKM 8X16 V	118,11	1
S RGE 110.400	110 4,3	400 15,7	2 SKM 8X16 V	128,39	1
S RGE 110.500	110 4,3	500 19,7	2 SKM 8X16 V	138,67	1
S RGE 110.600	110 4,3	600 23,6	2 SKM 8X16 V	148,94	1
F RGE 110.100 F	110 4,3	100 3,9	2 SKM 8X16 F	106,96	1
F RGE 110.150 F	110 4,3	150 5,9	2 SKM 8X16 F	112,62	1
F RGE 110.200 F	110 4,3	200 7,9	2 SKM 8X16 F	118,27	1
F RGE 110.300 F	110 4,3	300 11,8	2 SKM 8X16 F	129,58	1
F RGE 110.400 F	110 4,3	400 15,7	2 SKM 8X16 F	140,89	1
F RGE 110.500 F	110 4,3	500 19,7	2 SKM 8X16 F	152,19	1
F RGE 110.600 F	110 4,3	600 23,6	2 SKM 8X16 F	163,49	1

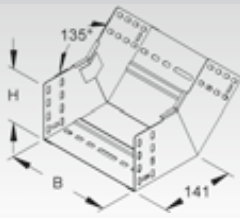
for linking sections of tray with a vertical displacement



Vertical Inside Elbow 45°

with integrated splice

Model no.	Height H	Inside dimension B	Acc. incl.	Weight per 100 pcs/pc./kg	Pack/Box Qty
	mm Inch	mm Inch			
S RSB 110.100	110 4,3	102 4	4 FLM 6X12	70,30	1
S RSB 110.150	110 4,3	152 6	4 FLM 6X12	82,30	1
S RSB 110.200	110 4,3	202 8	5 FLM 6X12	91,80	1
S RSB 110.300	110 4,3	302 11,9	5 FLM 6X12	113,40	1
S RSB 110.400	110 4,3	402 15,8	6 FLM 6X12	134,90	1
S RSB 110.500	110 4,3	502 19,8	6 FLM 6X12	159,16	1
S RSB 110.600	110 4,3	602 23,7	6 FLM 6X12	181,57	1



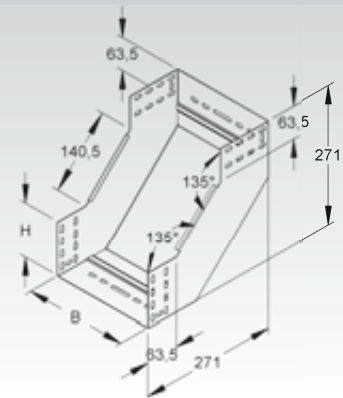
CABLE TRAY SYSTEM

Vertical Inside Elbow 90°

with integrated splice

	Model no.	Height H		Inside dimension B		Acc. incl.	Weight per 100 pcs./pc./ kg	Pack/ Box Qty
		mm	Inch	mm	Inch			
S	RSD 110.100	110	4,3	102	4	4 FLM 6X12	100,16	1
S	RSD 110.150	110	4,3	152	6	4 FLM 6X12	117,35	1
S	RSD 110.200	110	4,3	202	8	5 FLM 6X12	135,46	1
S	RSD 110.300	110	4,3	302	11,9	5 FLM 6X12	169,84	1
S	RSD 110.400	110	4,3	402	15,8	6 FLM 6X12	205,14	1
S	RSD 110.500	110	4,3	502	19,8	6 FLM 6X12	239,52	1
S	RSD 110.600	110	4,3	602	23,7	6 FLM 6X12	273,90	1

Height 110 mm
Slope 4%
Inches

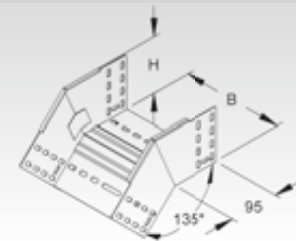


Vertical Outside Elbow 45°

with integrated splice

	Model no.	Height H		Inside dimension B		Acc. incl.	Weight per 100 pcs./pc./ kg	Pack/ Box Qty
		mm	Inch	mm	Inch			
S	RFB 110.100	110	4,3	102	4	4 FLM 6X12	62,00	1
S	RFB 110.150	110	4,3	152	6	4 FLM 6X12	70,60	1
S	RFB 110.200	110	4,3	202	8	5 FLM 6X12	76,50	1
S	RFB 110.300	110	4,3	302	11,9	5 FLM 6X12	91,00	1
S	RFB 110.400	110	4,3	402	15,8	6 FLM 6X12	105,40	1
S	RFB 110.500	110	4,3	502	19,8	6 FLM 6X12	122,80	1
S	RFB 110.600	110	4,3	602	23,7	6 FLM 6X12	137,99	1

Height 110 mm
Slope 4%
Inches

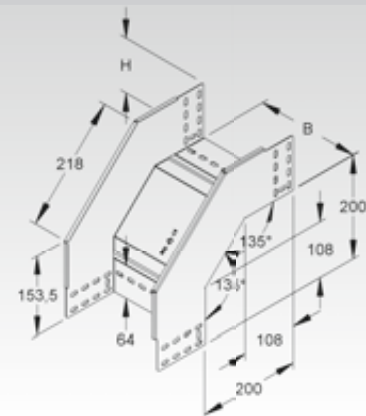


Vertical Outside Elbow 90°

with integrated splice

	Model no.	Height H		Inside dimension B		Acc. incl.	Weight per 100 pcs./pc./ kg	Pack/ Box Qty
		mm	Inch	mm	Inch			
S	RFD 110.100	110	4,3	102	4	4 FLM 6X12	106,26	1
S	RFD 110.150	110	4,3	152	6	4 FLM 6X12	119,62	1
S	RFD 110.200	110	4,3	202	8	5 FLM 6X12	133,78	1
S	RFD 110.300	110	4,3	302	11,9	5 FLM 6X12	160,51	1
S	RFD 110.400	110	4,3	402	15,8	6 FLM 6X12	188,59	1
S	RFD 110.500	110	4,3	502	19,8	6 FLM 6X12	214,75	1
S	RFD 110.600	110	4,3	602	23,7	6 FLM 6X12	241,48	1

Height 110 mm
Slope 4%
Inches



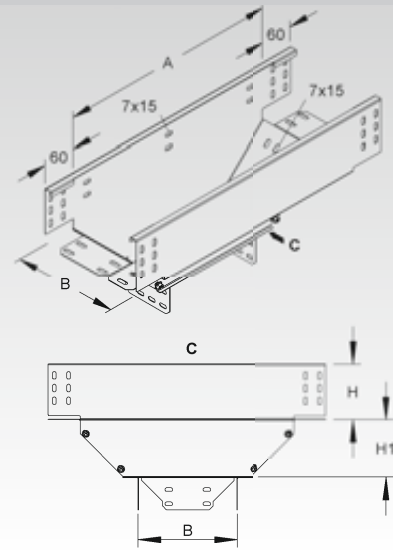
Vertical Tee Down, lengthwise

with integrated splice

	Model no.	Height H		Inside dimension B		Length A		Height H1	Acc. incl.	Weight per 100 pcs./pc./ kg	Pack/ Box Qty
		mm	Inch	mm	Inch	mm	Inch				
S	RTL 110.150	110	4,3	152	6	330	13	93	16 FLM 6X12	187,06	1
S	RTL 110.200	110	4,3	202	8	430	16,9	118	19 FLM 6X12	264,54	1
S	RTL 110.300	110	4,3	302	11,9	630	24,8	168	21 FLM 6X12	446,99	1
S	RTL 110.400	110	4,3	402	15,8	730	28,7	168	24 FLM 6X12	575,62	1
S	RTL 110.500	110	4,3	502	19,8	830	32,7	168	24 FLM 6X12	712,49	1
S	RTL 110.600	110	4,3	602	23,7	930	36,6	168	24 FLM 6X12	868,26	1

Size of run and tap tray is identical.

Delivered as a kit (not assembled).

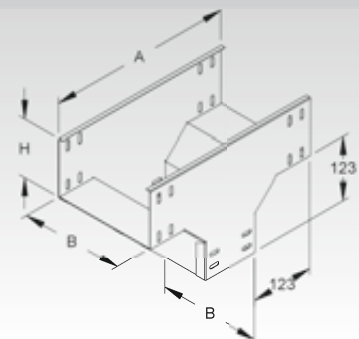


Vertical Tee Down, crosswise

with integrated splice

	Model no.	Height H		Inside dimension B		Length A		Acc. incl.	Weight per 100 pcs./pc./ kg	Pack/ Box Qty
		mm	Inch	mm	Inch	mm	Inch			
S	RTQ 110.100	110	4,3	102	4	361	14,2	8 FLM 6X12	144,98	1
S	RTQ 110.150	110	4,3	152	6	361	14,2	8 FLM 6X12	162,26	1
S	RTQ 110.200	110	4,3	202	8	361	14,2	10 FLM 6X12	181,14	1
S	RTQ 110.300	110	4,3	302	11,9	361	14,2	10 FLM 6X12	215,70	1
S	RTQ 110.400	110	4,3	402	15,8	361	14,2	12 FLM 6X12	251,86	1
S	RTQ 110.500	110	4,3	502	19,8	361	14,2	12 FLM 6X12	286,42	1
S	RTQ 110.600	110	4,3	602	23,7	361	14,2	12 FLM 6X12	322,42	1

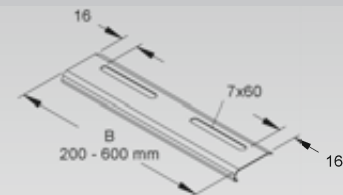
Size of run and tap tray is identical.



Edge Protection Plate

	Model no.	Width B		Acc. incl.	Weight per 100 pcs./pc./ kg	Pack/ Box Qty
		mm	Inch			
S	RKB 100	92	3,6	1 FLM 6X12	4,40	10
S	RKB 150	142	5,6	2 FLM 6X12	7,15	10
S	RKB 200	192	7,6	2 FLM 6X12	9,13	10
S	RKB 300	292	11,5	2 FLM 6X12	13,27	10
S	RKB 400	392	15,4	2 FLM 6X12	17,40	10
S	RKB 500	492	19,4	2 FLM 6X12	21,53	10
S	RKB 600	592	23,3	2 FLM 6X12	25,67	10
F	RKB 100 F	92	3,6	1 FLM 6X12 F	4,89	50
F	RKB 150 F	142	5,6	2 FLM 6X12 F	7,96	50
F	RKB 200 F	192	7,6	2 FLM 6X12 F	10,13	50
F	RKB 300 F	292	11,5	2 FLM 6X12 F	14,69	50
F	RKB 400 F	392	15,4	2 FLM 6X12 F	19,23	50
F	RKB 500 F	492	19,4	2 FLM 6X12 F	23,77	50
F	RKB 600 F	592	23,3	2 FLM 6X12 F	28,33	50
E3	RKB 100 E3	92	3,6	1 FLM 6X12 E3	4,43	10
E3	RKB 200 E3	192	7,6	2 FLM 6X12 E3	9,20	10
E3	RKB 300 E3	292	11,5	2 FLM 6X12 E3	13,36	10
E3	RKB 400 E3	392	15,4	2 FLM 6X12 E3	17,52	10
E3	RKB 500 E3	492	19,4	2 FLM 6X12 E3	21,68	10
E3	RKB 600 E3	592	23,3	2 FLM 6X12 E3	25,84	10

with rounded edges to protect cables at the joint and to reinforce the bottom of cable trays

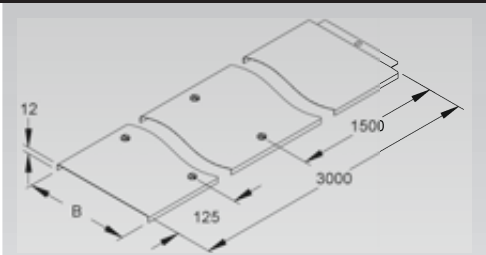


CABLE TRAY SYSTEM COVERS

Cover for Cable Tray/Ladder

with turnbolt locks

Model no.	Inside dimension B mm Inch	Weight per 100 m kg	Pack/ Box Qty
S RDV 100	102 4	74,17	2 x 3 m
S RDV 150	152 6	103,81	2 x 3 m
S RDV 200	202 8	133,44	2 x 3 m
S RDV 300	302 11,9	231,02	2 x 3 m
S RDV 400	402 15,8	335,56	2 x 3 m
S RDV 500	502 19,8	414,60	2 x 3 m
S RDV 600	602 23,7	493,63	2 x 3 m
F RDV 100 F	102 4	81,59	2 x 3 m
F RDV 150 F	152 6	114,19	2 x 3 m
F RDV 200 F	202 8	146,79	2 x 3 m
F RDV 300 F	302 11,9	254,13	2 x 3 m
F RDV 400 F	402 15,8	369,12	2 x 3 m
F RDV 500 F	502 19,8	456,06	2 x 3 m
F RDV 600 F	602 23,7	542,99	2 x 3 m
E3 RDV 100 E3	102 4	80,01	2 x 3 m
E3 RDV 200 E3	202 8	143,64	2 x 3 m
E3 RDV 300 E3	302 11,9	206,00	2 x 3 m
E3 RDV 400 E3	402 15,8	269,62	2 x 3 m
E3 RDV 500 E3	502 19,8	376,11	2 x 3 m
E3 RDV 600 E3	602 23,7	447,70	2 x 3 m

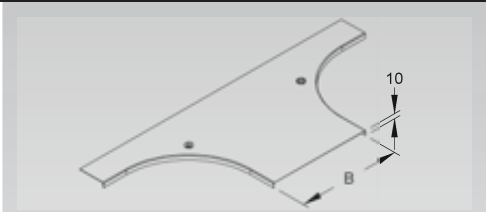


Suitable for: all straight sections of cable tray (other than RSV 50...) as well as for cable ladders KL...
For outdoor service covers need to be secured against windloads using heavy duty cover clamps or steel cable ties.

Cover for Horizontal Extension Tee

with turnbolt locks

Model no.	Inside dimension B mm Inch	Weight per 100 pcs kg	Pack/ Box Qty
S RTADV 100	104 4,1	43,37	1
S RTADV 150	154 6,1	51,99	1
S RTADV 200	204 8	60,61	1
S RTADV 300	304 12	77,85	1
S RTADV 400	404 15,9	95,09	1
S RTADV 500	504 19,8	112,32	1
S RTADV 600	604 23,8	129,56	1
F RTADV 100 F	104 4,1	52,44	1
F RTADV 150 F	154 6,1	57,97	1
F RTADV 200 F	204 8	67,45	1
F RTADV 300 F	304 12	86,42	1
F RTADV 400 F	404 15,9	105,37	1
F RTADV 500 F	504 19,8	124,33	1
F RTADV 600 F	604 23,8	143,29	1
E3 RTADV 100 E3	104 4,1	39,61	1
E3 RTADV 200 E3	204 8	55,03	1
E3 RTADV 300 E3	304 12	70,45	1
E3 RTADV 400 E3	404 15,9	106,91	1
E3 RTADV 500 E3	504 19,8	126,19	1
E3 RTADV 600 E3	604 23,8	145,47	1



Suitable for: extension horizontal tee RTA...
For outdoor service covers need to be secured against windloads using heavy duty cover clamps or steel cable ties.



Cover for Flexible Horizontal Fitting

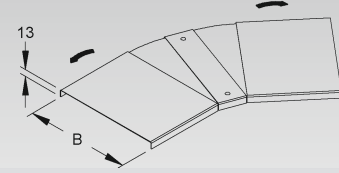
Model no.	Inside dimension B mm Inch	Weight per 100 pcs kg	Pack/Box Qty
S RBAVD 100	102 4	32,20	1
S RBAVD 150	152 6	60,74	1
S RBAVD 200	202 8	97,65	1
S RBAVD 300	302 11,9	197,75	1
S RBAVD 400	402 15,8	332,11	1
S RBAVD 500	502 19,8	501,35	1
S RBAVD 600	602 23,7	704,73	1

adjustable from 0-90°

Suitable for: flexible horizontal elbow RBAV...

RDHF 9 E2 cover clamps shall not be used when covers are installed vertically.

4 x RDHF 9 E2 cover clips required per cover. Please order separately.



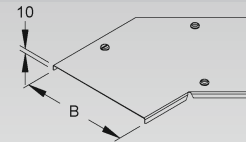
Cover for 45° Horizontal Elbow

with turnbolt locks

Model no.	Inside dimension B mm Inch	Weight per 100 pc. kg	Pack/Box Qty
S RBADV 100	104 4,1	24,99	1
S RBADV 150	154 6,1	37,29	1
S RBADV 200	204 8	51,21	1
S RBADV 300	304 12	83,94	1
S RBADV 400	404 15,9	123,17	1
S RBADV 500	504 19,8	168,90	1
S RBADV 600	604 23,8	221,13	1
F RBADV 100 F	104 4,1	28,71	1
F RBADV 150 F	154 6,1	42,24	1
F RBADV 200 F	204 8	57,55	1
F RBADV 300 F	304 12	93,54	1
F RBADV 400 F	404 15,9	136,70	1
F RBADV 500 F	504 19,8	187,00	1
F RBADV 600 F	604 23,8	244,46	1

Suitable for: horizontal elbow 45° RBA...

For outdoor service covers need to be secured against windloads using heavy duty cover clamps or steel cable ties.



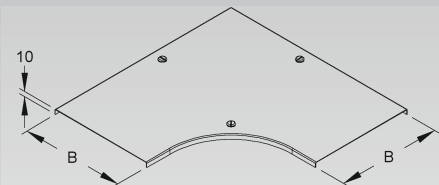
Cover for 90° Horizontal Elbow

with turnbolt locks

Model no.	Inside dimension B mm Inch	Weight per 100 pcs kg	Pack/Box Qty
S RESDV 100	104 4,1	39,00	1
S RESDV 150	154 6,1	69,62	1
S RESDV 200	204 8	96,39	1
S RESDV 300	304 12	160,52	1
S RESDV 400	404 15,9	238,78	1
S RESDV 500	504 19,8	367,73	1
S RESDV 600	604 23,8	486,08	1
F RESDV 100 F	104 4,1	44,10	1
F RESDV 150 F	154 6,1	77,79	1
F RESDV 200 F	204 8	107,23	1
F RESDV 300 F	304 12	177,78	1
F RESDV 400 F	404 15,9	263,87	1
F RESDV 500 F	504 19,8	405,71	1
F RESDV 600 F	604 23,8	535,91	1
E3 RESDV 100 E3	104 4,1	42,80	1
E3 RESDV 200 E3	204 8	87,54	1
E3 RESDV 300 E3	304 12	144,91	1
E3 RESDV 400 E3	404 15,9	267,85	1
E3 RESDV 500 E3	504 19,8	371,16	1
E3 RESDV 600 E3	604 23,8	490,27	1

Suitable for: horizontal 90° elbow RES...

For outdoor service covers need to be secured against windloads using heavy duty cover clamps or steel cable ties.



CABLE TRAY SYSTEM COVERS

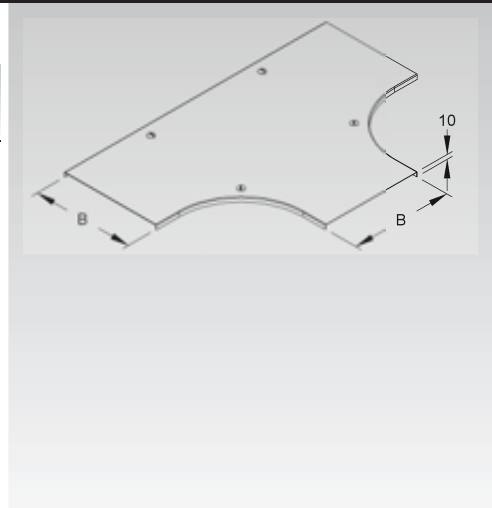
Cover for Horizontal Tee

with turnbolt locks

Model no.		Inside dimension B	Weight per 100 pcs	Pack/Box Qty
		mm Inch	kg	
S	RTSDV 100	104 4,1	72,24	1
S	RTSDV 150	154 6,1	105,14	1
S	RTSDV 200	204 8	141,97	1
S	RTSDV 300	304 12	227,41	1
S	RTSDV 400	404 15,9	328,54	1
S	RTSDV 500	504 19,8	445,38	1
S	RTSDV 600	604 23,8	577,92	1
F	RTSDV 100 F	104 4,1	81,08	1
F	RTSDV 150 F	154 6,1	117,30	1
F	RTSDV 200 F	204 8	157,82	1
F	RTSDV 300 F	304 12	251,90	1
F	RTSDV 400 F	404 15,9	363,04	1
F	RTSDV 500 F	504 19,8	491,56	1
F	RTSDV 600 F	604 23,8	637,35	1

Suitable for: horizontal tee RTS...

For outdoor service covers need to be secured against windloads using heavy duty cover clamps or steel cable ties.



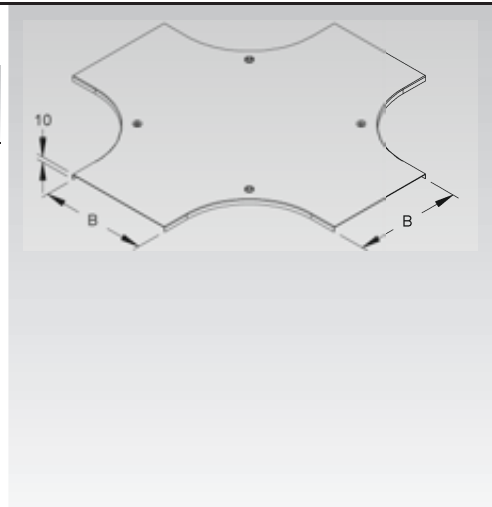
Cover for Horizontal Cross

with turnbolt locks

Model no.		Inside dimension B	Weight per 100 pcs	Pack/Box Qty
		mm Inch	kg	
S	RKSDV 100	104 4,1	95,41	1
S	RKSDV 150	154 6,1	135,44	1
S	RKSDV 200	204 8	179,40	1
S	RKSDV 300	304 12	279,10	1
S	RKSDV 400	404 15,9	394,49	1
S	RKSDV 500	504 19,8	525,59	1
S	RKSDV 600	604 23,8	672,38	1
F	RKSDV 100 F	104 4,1	106,57	1
F	RKSDV 150 F	154 6,1	150,60	1
F	RKSDV 200 F	204 8	198,96	1
F	RKSDV 300 F	304 12	308,63	1
F	RKSDV 400 F	404 15,9	435,56	1
F	RKSDV 500 F	504 19,8	579,77	1
F	RKSDV 600 F	604 23,8	741,24	1

Suitable for: horizontal cross RKS...

For outdoor service covers need to be secured against windloads using heavy duty cover clamps or steel cable ties.



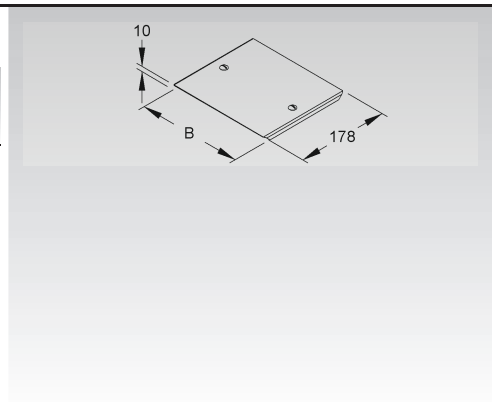
Cover for Vertical Outside Elbow Kit

with turnbolt locks

Model no.		Inside dimension B	Weight per 100 pcs/pc.	Pack/Box Qty
		mm Inch	kg	
S	RFSDDV 60.100	104 4,1	19,31	1
S	RFSDDV 60.150	154 6,1	24,99	1
S	RFSDDV 60.200	204 8	32,00	1
S	RFSDDV 60.300	304 12	46,00	1
S	RFSDDV 60.400	404 15,9	59,90	1
S	RFSDDV 60.500	504 19,8	73,90	1
S	RFSDDV 60.600	604 23,8	87,90	1

Suitable for: vertical inside/outside elbow kit with a side rail height of 60 mm, RFD 60... and RSD 60...

For outdoor service covers need to be secured against windloads using heavy duty cover clamps or steel cable ties.



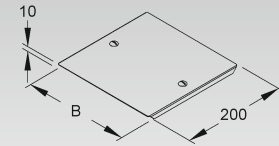
Cover for Vertical Outside Elbow Kit

with turnbolt locks

	Model no.	Inside dimension B		Weight per 100 pcs kg	Pack/Box Qty
		mm	Inch		
S	RFDDV 85.100	104	4,1	20,7	1
S	RFDDV 85.200	204	8	36,4	1
S	RFDDV 85.300	304	12	52,1	1
S	RFDDV 85.400	404	15,9	67,8	1
S	RFDDV 85.500	504	19,8	83,5	1
S	RFDDV 85.600	604	23,8	99,2	1

Suitable for: vertical inside/outside elbow kit with a side rail height of 85 mm, RFD 85...

For outdoor service covers need to be secured against windloads using heavy duty cover clamps or steel cable ties.



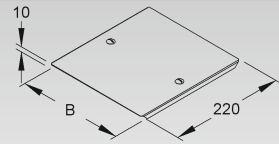
Cover for Vertical Outside Elbow Kit

with turnbolt locks

	Model no.	Inside dimension B		Weight per 100 pcs/pc. kg	Pack/Box Qty
		mm	Inch		
S	RFDDV 110.100	104	4,1	22,60	1
S	RFDDV 110.150	154	6,1	31,20	1
S	RFDDV 110.200	204	8	39,31	1
S	RFDDV 110.300	304	12	57,10	1
S	RFDDV 110.400	404	15,9	74,40	1
S	RFDDV 110.500	504	19,8	91,70	1
S	RFDDV 110.600	604	23,8	108,90	1

Suitable for: vertical inside/outside elbow kit with a side rail height of 110 mm, RFD 110...

For outdoor service covers need to be secured against windloads using heavy duty cover clamps or steel cable ties.



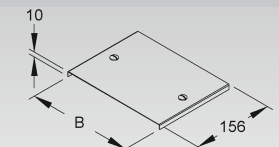
Cover for Vertical Inside Elbow

with turnbolt locks

	Model no.	Inside dimension B		Weight per 100 pcs kg	Pack/Box Qty
		mm	Inch		
S	RSDDV 85.100	104	4,1	16,25	1
S	RSDDV 85.200	204	8	28,49	1
S	RSDDV 85.300	304	12	40,74	1
S	RSDDV 85.400	404	15,9	52,99	1
S	RSDDV 85.500	504	19,8	65,23	1
S	RSDDV 85.600	604	23,8	77,48	1

Suitable for: cable tray vertical inside/outside elbow for side rail height of 85 mm, RSD 85...

For outdoor service covers need to be secured against windloads using heavy duty cover clamps or steel cable ties.



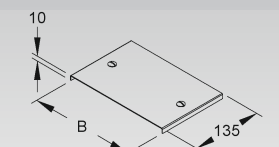
Cover for Vertical Inside Elbow

with turnbolt locks

	Model no.	Inside dimension B		Weight per 100 pcs/pc./kg	Pack/Box Qty
		mm	Inch		
S	RSDDV 110.100	104	4,1	14,23	1
S	RSDDV 110.150	154	6,1	19,52	1
S	RSDDV 110.200	204	8	24,82	1
S	RSDDV 110.300	304	12	35,42	1
S	RSDDV 110.400	404	15,9	46,02	1
S	RSDDV 110.500	504	19,8	56,62	1
S	RSDDV 110.600	604	23,8	67,21	1

Suitable for: cable tray vertical inside/outside elbow for side rail height of 110 mm, RSD 110 ...

For outdoor service covers need to be secured against windloads using heavy duty cover clamps or steel cable ties.



CABLE TRAY SYSTEM COVERS

Turnbolt Lock

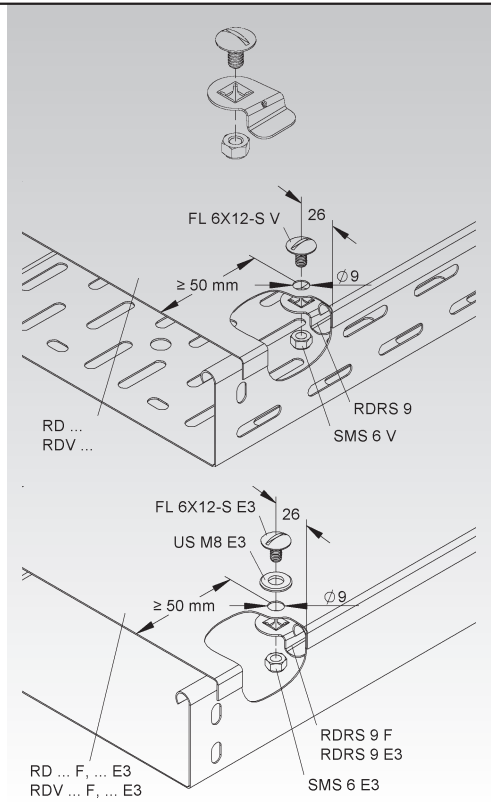
incl. locking nut

Model no.	Acc. incl.	Weight per 100 pcs kg	Pack/Box Qty
S RDRS 9	1 FL 6X12-S V, 1 SMS 6 V	1,2	100
F RDRS 9 F	1 FL 6X12-S E3, 1 SMS 6 E3, 1 US M8 E3	1,6	100
E3 RDRS 9 E3	1 FL 6X12-S E3, 1 SMS 6 E3, 1 US M8 E3	1,6	100

for field modifications of covers

Suitable for: cover RDV...

Not sufficient for securing covers to tray installed vertically or sideways nor for securing covers against windloads. Please use self tapping screws, steel cable ties or coverhinges in addition.

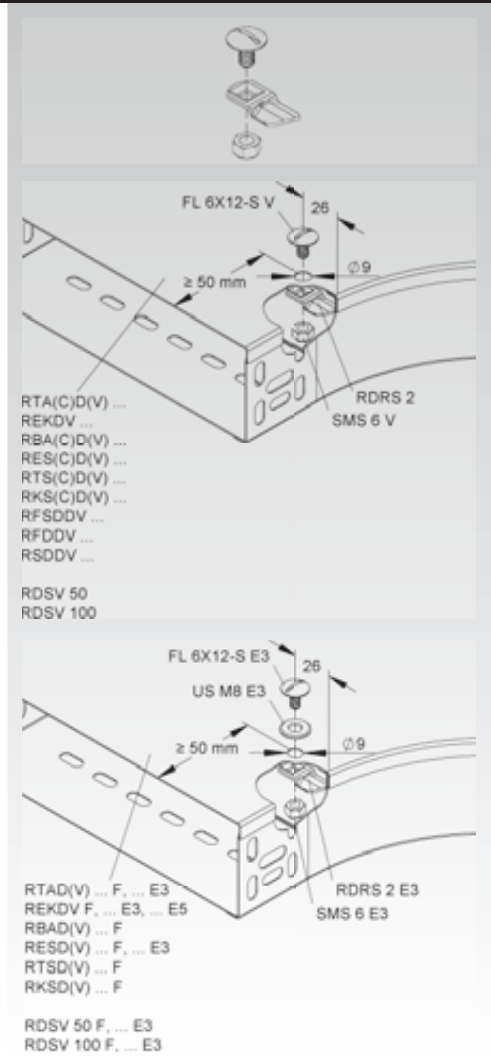


Turnbolt Lock

incl. locking nut

Model no.	Acc. incl.	Weight per 100 pcs kg	Pack/Box Qty
S RDRS 2	1 FL 6X12-S V, 1 SMS 6 V	1,3	100
E3 RDRS 2 E3	1 FL 6X12-S E3, 1 SMS 6 E3, 1 US M8 E3	1,5	100

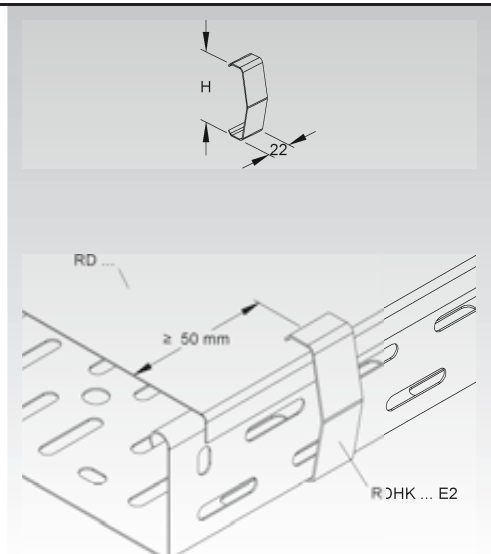
Suitable for: all R-series fitting covers and RSV 50.100 distribution tray covers
 Not sufficient for securing covers to tray installed vertically or sideways nor for securing covers against windloads. Please use self tapping screws, steel cable ties or coverhinges in addition.



Exterior Cover Clamp

Model no.	Height H	Weight per 100 pcs kg	Pack/Box Qty
	mm Inch		
E2 RDHK 60 E2	58 2,3	2,0	50
E2 RDHK 110 E2	108 4,3	2,2	50

Suitable for: all tray and fitting covers in 60 mm or 110 mm height
 Not sufficient for securing covers to tray installed vertically or sideways nor for securing covers against windloads. Please use self tapping screws, steel cable ties or coverhinges in addition.



CABLE TRAY SYSTEM COVERS

Cover Clamp

Model no.	Weight per 100 pcs kg	Pack/Box Qty
E2 RDHF 9 E2	0,47	60

Suitable for: covers RDV... and RBAVD...

Not sufficient for securing covers to tray installed vertically or sideways nor for securing covers against windloads. Please use self tapping screws, steel cable ties or coverhinges in addition.

