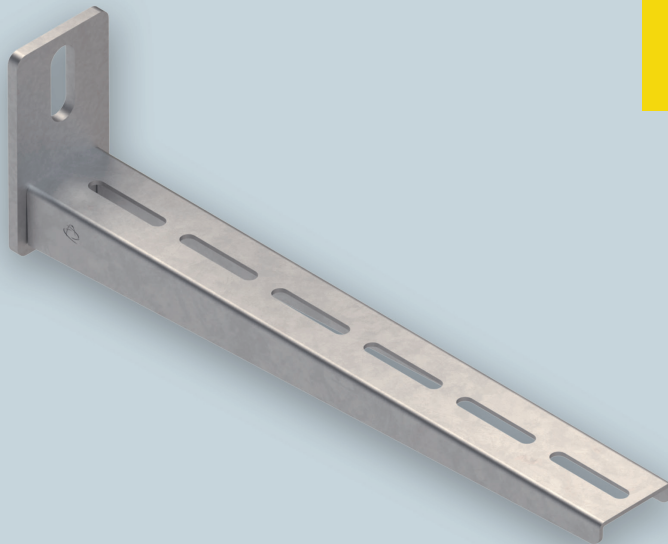
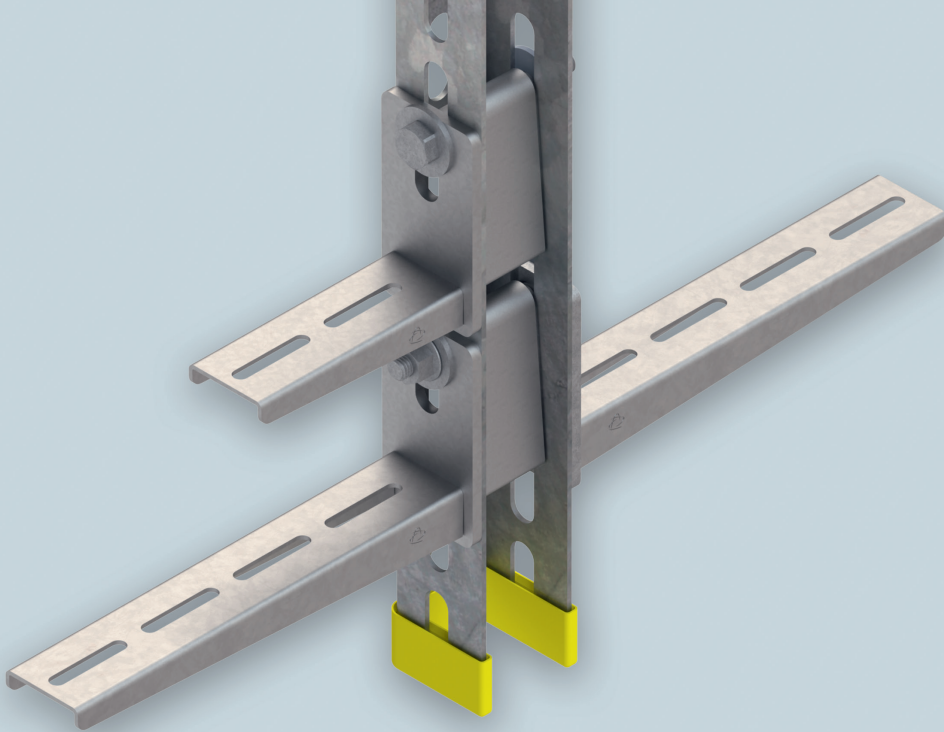


NEW

PENDANT AND WALL BRACKET



FLAT DESIGN for close-proximity installation

SURFACE COATING available for the first time in electro galvanised, blue passivated and hot dip galvanised finishes

LOAD CAPACITIES of 1.5 kN for cantilever lengths of 100 mm – 600 mm

APPLICATIONS in confined spaces

SYMMETRICAL BRACKET with rounded edges and a pleasant appearance

CAN BE USED as pendant bracket or for wall mounting

Pendant and Wall Bracket

flat design

Model No.	Height H	Distance A	Length L	Load capacity at L/2	Incl. Accessories	EAN code	Weight in kg per 100 pcs.	Smallest packaging unit
	mm	mm	mm	kN				
V KTAFL 100 V	22	50	110	1,5	2 FLM 6X12	245956	28,34	20 pcs.
V KTAFL 200 V	27	45	210	1,5	2 FLM 6X12	245994	38,96	20 pcs.
V KTAFL 300 V	32	39	310	1,5	2 FLM 6X12	246045	51,22	20 pcs.
V KTAFL 400 V	37	34	410	1,0	2 FLM 6X12	246083	65,14	20 pcs.
V KTAFL 500 V	43	29	510	1,0	2 FLM 6X12	246137	80,70	10 pcs.
V KTAFL 600 V	48	24	610	1,0	2 FLM 6X12	246175	97,89	10 pcs.
F KTAFL 100 F	22	50	110	1,5	2 FLM 6X12	245949	31,02	20 pcs.
F KTAFL 200 F	27	45	210	1,5	2 FLM 6X12	245987	42,70	20 pcs.
F KTAFL 300 F	32	39	310	1,5	2 FLM 6X12	246038	56,19	20 pcs.
F KTAFL 400 F	37	34	410	1,0	2 FLM 6X12	246076	71,50	20 pcs.
F KTAFL 500 F	43	29	510	1,0	2 FLM 6X12	246120	88,61	10 pcs.
F KTAFL 600 F	48	24	610	1,0	2 FLM 6X12	246168	107,52	10 pcs.

for wall and ceiling support at low installation heights
the flat design allows installation in close proximity to each other in confined spaces

The load capacity only applies when sufficiently anchored to the load-bearing substrate or when mounted on pendant in accordance with regulations.

