

NEW

SPACER FOR WIRE MESH TRAY

**SUITABLE** for use with wire mesh trays featuring at least two longitudinal wires spaced 50 mm apart and a wire diameter of  $\varnothing$  3.9 mm -  $\varnothing$  5 mm

**MOUNTING PLATE** APAHG 62 ZM extends the product range to include wire mesh trays with just a single longitudinal wire

**EASY TO INSTALL** by simply snapping it onto the AHG 62 spacer

**MATERIAL** two-piece, consisting of a concrete block and a base plate holder unit made of black thermoplastic material

**AREAS OF APPLICATION** are primarily in outdoor use, thanks to the flexible and rapid configuration options for supply and drainage lines to and from the various trades

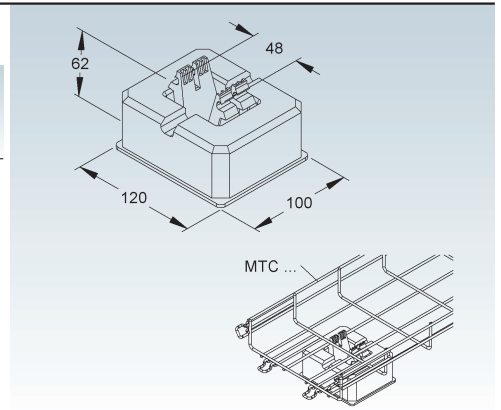
## Spacer for Wire Mesh Tray

two-piece

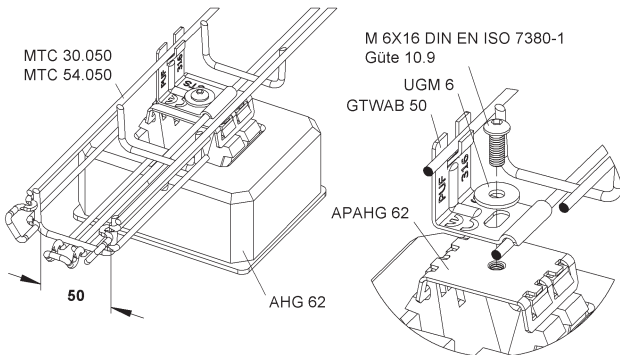
Model No.	EAN code	Weight in kg per 100 pcs.	Smallest packaging unit
<b>AHG 62</b>	259496	104,93	10 pc.

consisting of concrete block and base plate holder unit made of black thermoplastic material; the wire mesh tray is held in place by snapping/clamping the longitudinal wires of the wire mesh tray

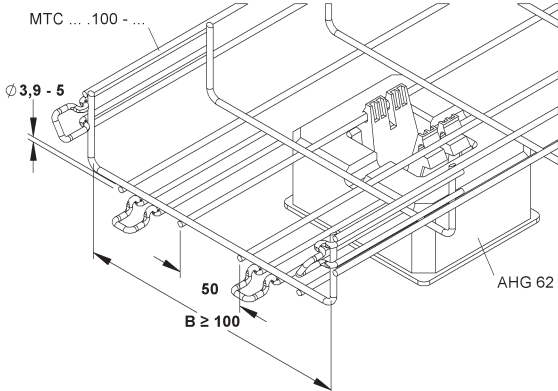
Used for: wire mesh trays with a wire spacing of 50 mm and a wire thickness of approx.  $\varnothing 3,9 \text{ mm} - \varnothing 5 \text{ mm}$   
 wire mesh trays with a single longitudinal wire  $\leq \varnothing 5 \text{ mm}$ , using the mounting plate APAHG 62 ZM and the wire mesh tray wall- and bracket fastening GTWAB 50



Installation of wire mesh trays MTC... with just one longitudinal wire



Installation of wire mesh trays MTC... with two or more longitudinal wires



Number and arrangement of spacers AHG 62 when using different wire mesh tray widths of the MTC...

